



PROJECT

CATALOG #

TYPE

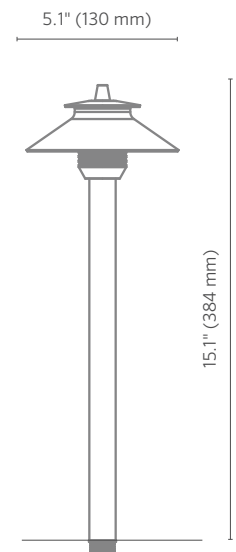
NOTES

PF Path Light **DESIGNER PREMIUM**

Sleek hat area light in 1 LED. Copper and brass construction.

Quick Facts

- Copper/brass construction
- Natural, powder coated, or antiqued copper/brass
- Cree® integrated LEDs
- Tamper-resistant features
- Color temperature filters
- Compatible with Luxor® technology
- Phase and PWM dimmable
- Input voltage: 10-15V



PF Path Light SPECIFICATIONS

Output	1LED
Total Lumens†	33
Input Voltage	10 to 15V
Input Power (W)	2.0
VA	2.4
Efficacy (Lumens/Watt)	17
Color Rendering Index (CRI)	80+
Max Candela	12
Dimming	PWM, Phase**
RGBW Available	No
Luxor Compatibility	
Default	Zoning
ZD Option	Zoning/Dimming
ZDC Option	--
Minimum Rated Life (L70)	50,000 Hrs

** For optimal performance, use a trailing-edge, phase-cut dimmer.

† Measured using the 3,900K CCT lens. Multipliers for other CCTs include 0.80 (2,700K), 0.65 (4,500K), and 0.65 (5,200K).

FX Luminaire

FX Luminaire is an industry-leading manufacturer of landscape and architectural lighting products with a focus on the advancement of LED technology and digital lighting control with zoning, dimming, and color adjustment capabilities. We offer a full spectrum of specification-driven lighting fixtures that can be utilized to create elegant, cutting-edge landscape lighting systems for commercial or residential applications. Our products are available exclusively via our extensive professional distributor network.

Materials

Machined C360 brass cap and reducer with stainless hardware. Spun C110 copper top/shade and extruded C110 copper riser.

Socket

Socket contains MoistureBlock™ technology, preventing moisture from wicking up into sealed areas of the fixture.

Lamp

Integrated module with Cree LEDs. Gold-plated connectors and conformal coated for maximum reliability and corrosion resistance. Proprietary on-board intelligent driver uses firmware-controlled temperature regulation, maximizing LED life. Field upgradeable and replaceable, the LEDs are rated to 50,000 hrs. Maximum drive current: 1 A.

Optics

Polycarbonate color temperature adjustment lenses included with fixture: 2,700K (preinstalled), 3,900K (no lens) 4,500K, and 5,200K. Conical reflector maximizes distribution according to riser height. Color temperature lenses field serviceable.

Wiring

18 AWG (1 mm); SPT-1W; 220°F (105°C); 300V; 3.6' (1.1 m) length with 12" (305 mm) riser.

Power

Input 10-15 VAC/VDC, 50/60Hz. Remote transformer required (specify separately).

Housing

Machined brass housing with capacity for 1LED integrated LEDs.

Riser

¾" (19 mm) copper riser with press-fit brass fittings inserted at 2,000+ lbs (907 kg) of pressure, eliminating the need for adhesives or fasteners.

Threads

Machined brass fitting with ½"-14 (13 mm) NPSM threads.

Lens

Frosted polycarbonate lens with high tolerance for thermal expansion, stress, and abuse.

Hardware

Includes 10" (254 mm) ABS slotted installation spike.

Finish

Options of natural copper/brass finish, or antiqued finish with brushed (Antique Bronze) or tumbled (Antique Tumbled) effect. Antique finishes sealed with a clear TGIC powder coat layer. Brass accent pieces (cap and reducer) remain natural (not powder coated) for Bronze, Silver, Flat Black, and Flat White finishes.

Ambient Operating Temperature

0°F to 140°F (-18°C to 60°C)

Weight

2.8 lbs (1.3 kg)

Control

ZD option utilizes Luxor technology to zone light fixtures in up to 250 groups, and dim each group in 1% increments between 0 and 100%. Select the ZD option for zoning/dimming. Standard fixture is zoneable with Luxor.

Installation Requirements

Designed for installation in the downward lighting direction only.

Sustainability

Innovation meets conservation in the design and manufacturing of our products. Where we can, we use recycled materials while maintaining superior functionality. Our LED products provide high-quality light at optimal energy efficiency, lifespan, and durability.

International Compliance

Compliant per IEC 60598-1 and IEC 60598-2-7 when used with ground mount ("GM-XX") accessory, or alternate mount greater than or equal to IP65.

Warranty

10-year limited warranty

Listings



PF Path Light ORDERING INFORMATION

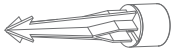





Fixture	Luxor Option	Output	Riser	Finish	
PF*	■ [default] Zone	■ 1LED 33 Lumens	■ 8RA 8" (203 mm) Riser	■ CU Natural Copper	■ FW Flat White
	■ ZD Zone/Dim		■ 12RA 12" (305 mm) Riser	■ BZ Bronze Metallic	■ AL Almond
			■ 18RA 18" (457 mm) Riser	■ DG Desert Granite	■ SV Silver
			■ 24RA* 24" (610 mm) Riser	■ WI Weathered Iron	■ AB Antique Bronze
			■ 36RA* 36" (914 mm) Riser	■ FB Black	■ AT Antique Tumbled
				■ WG White Gloss	■ NP Nickel Plate

EXAMPLE FIXTURE CONFIGURATION: PF-ZD-1LED-12R-CU

*Ships with Super Slot Spike (753900)



MOUNTING OPTIONS: Specify Separately

Mounts	Code	
■ SUPER J-BOX 2.5" (64 mm) x 12" (305 mm)	SJ-XX*	
■ POST MOUNT 2.5" (64 mm) x 13" (33 mm)	PM-XX*	
■ GROUND MOUNT 2.7" (67 mm) Diameter	GM-XX*	
■ VERSABOX® 2.2" (57 mm) x 1.5" (39 mm)	VB-050-XX*	
■ PROAIM RATCHETING SPIKE 4.0" (102 mm) x 4.0" (102 mm)	PARS	
■ 3-PRONG SPIKE 5.1" (129 mm) x 9" (229 mm)	2500200- 20000	

*YY = riser height in inches (6" increments between 6" and 36";
150 mm increments between 150 mm and 900 mm), XX = finish code

PF Path Light PHOTOMETRICS

PF 1LED Isofootcandle Plot

