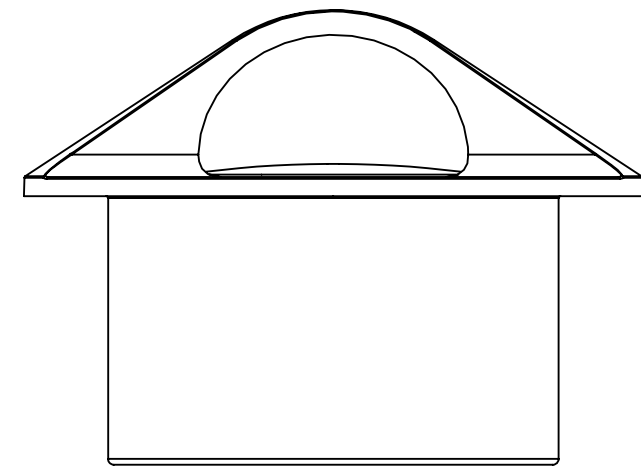
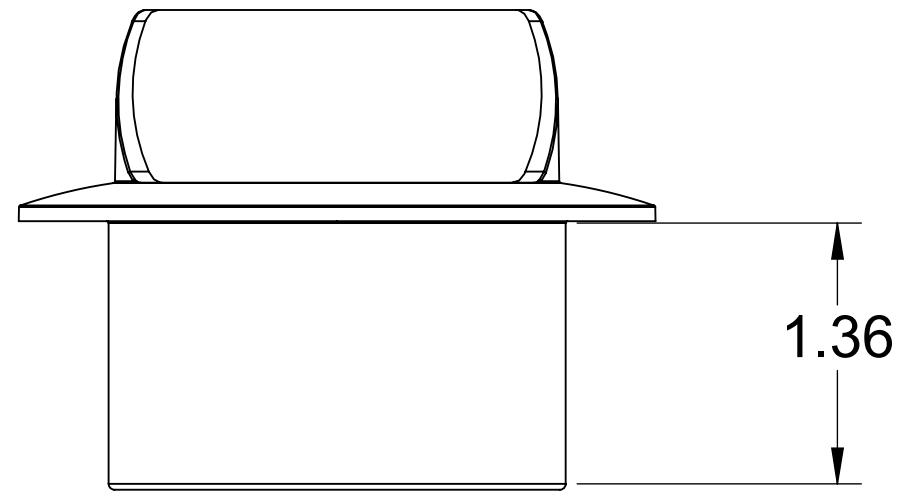
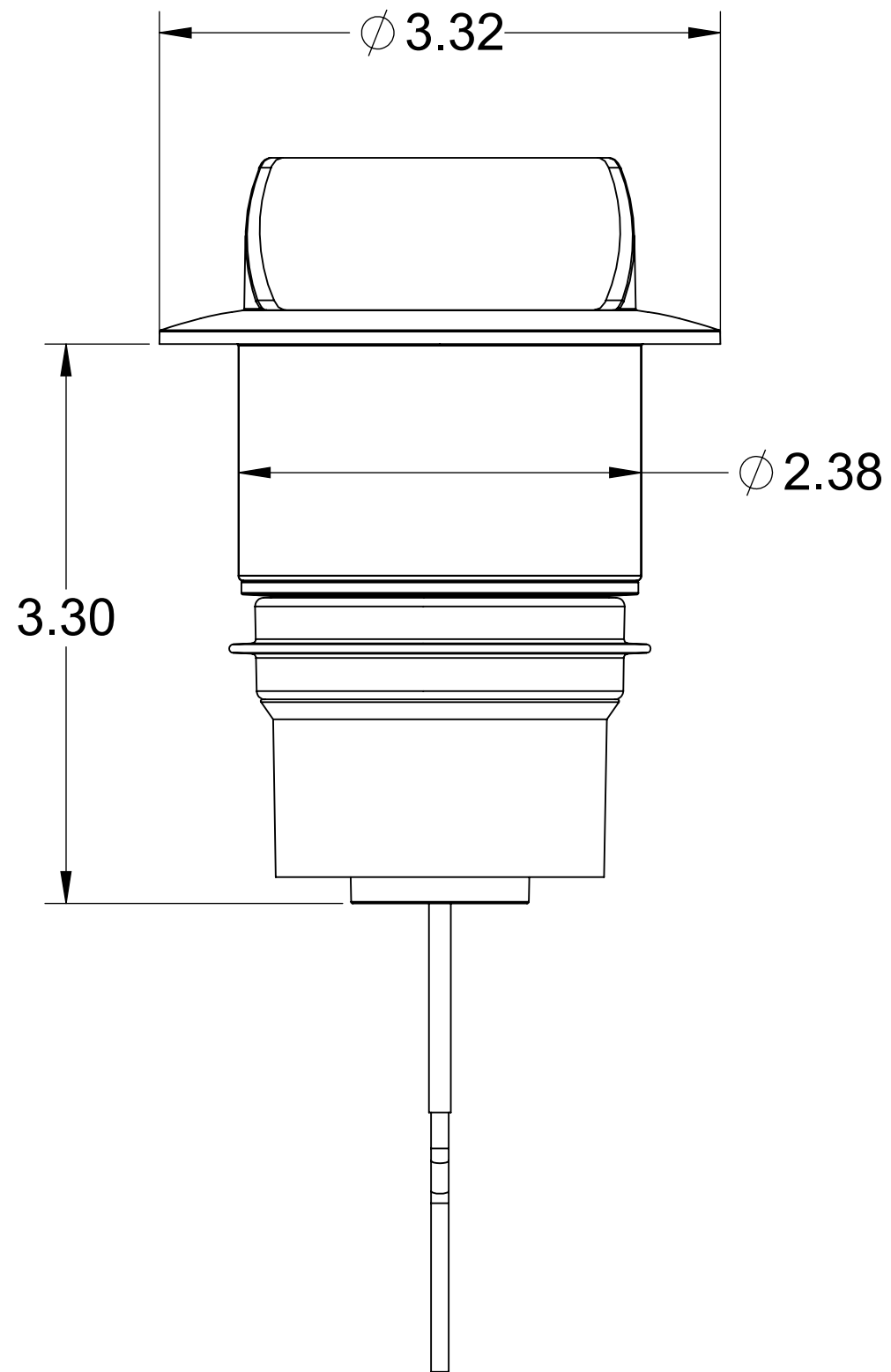


CONFIDENTIAL AND PROPRIETARY
 THIS DRAWING/DOCUMENT CONTAINS TRADE SECRET INFORMATION OF HUNTER INDUSTRIES, INC. USE, PUBLICATION, AND/OR DISCLOSURE OF THIS INFORMATION TO THIRD PARTIES ARE ALL PROHIBITED EXCEPT AS EXPRESSLY AUTHORIZED IN ADVANCE BY HUNTER. NO PATENT LICENSE IS GRANTED TO ANY INVENTIONS DESCRIBED AND/OR ILLUSTRATED HEREIN. ©COPYRIGHT HUNTER INDUSTRIES, INC.



UNLESS OTHERWISE SPECIFIED:		★ DENOTES CRITICAL INSPECTION POINTS ○ DENOTES FUNCTIONALLY CRITICAL POINTS		Hunter ® Hunter Industries Engineering 1940 Diamond St. San Marcos, CA 92078	
SURFACE FINISH:	DIMENSIONAL TOLERANCES: .XX = ±.01 .XXX = ±.005 .XXXX = ±.0005	SCALE: 1:3	SIZE: B	TITLE: CN-51, ASSEMBLY	
THIRD ANGLE PROJ. ☉ ⊞	ANGLES: ±1°	REL. DATE:	DRAWN BY: KL	PRODUCT: CORA LINE	DRAWING NO. 21111016XXXX
ALL DIMENSIONS ARE IN INCHES		Color:	MATERIAL:	REV. B1	
DO NOT SCALE DRAWING		Material Spec:	PRINT DATE: 9/13/2024	SHEET 3 OF 3	