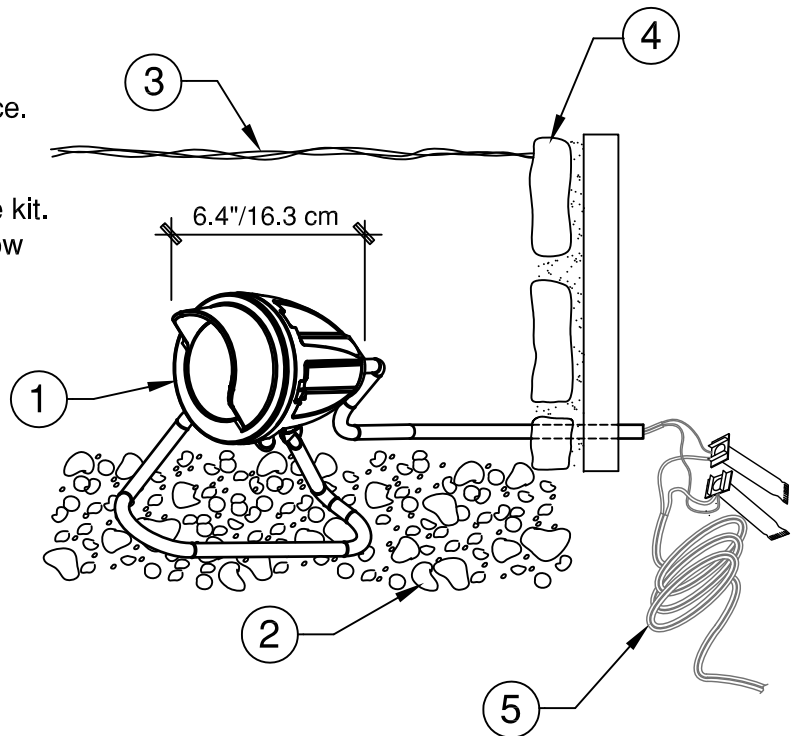


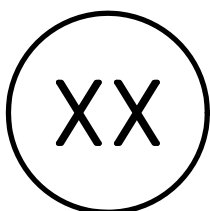
DETAIL LEGEND

- ① FX Luminaire LL fixture. See plan legend for wattage, beam spread and accessories.
- ② Bottom of water feature. See plans for details.
- ③ Water level within feature.
- ④ Water feature backing with electric service.
- ⑤ Direct bury, UF/UL, copper, low voltage cable with 3M DBR/Y-6 direct bury splice kit. Leave 18" minimum wire loop coiled below fixture for service.



NOTES

- A. Installation to be completed in accordance with manufacturer's specifications.
- B. Accepts 10-15 volts - AC or DC
- C. See plan legend for LED board and accessories.
- D. Always refer to FX product installation notes prior to installation.



LL WATER LIGHT

SUBMERSIBLE

NOT TO SCALE