

Hunter®



REPLACEMENT

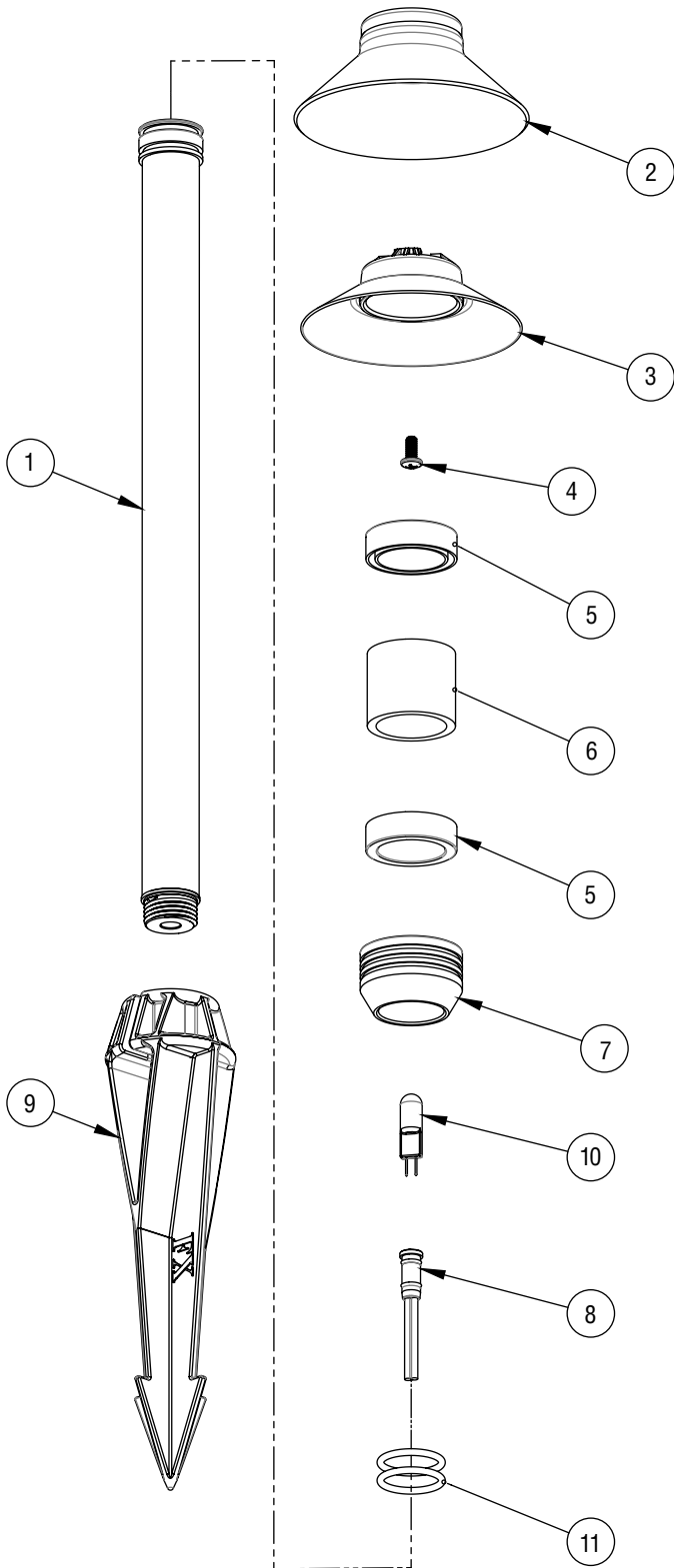
PARTS LIST 2012

EFFECTIVE DECEMBER 2011



PATH LIGHTS UP LIGHTS DOWN LIGHTS WALL LIGHTS WELL LIGHTS

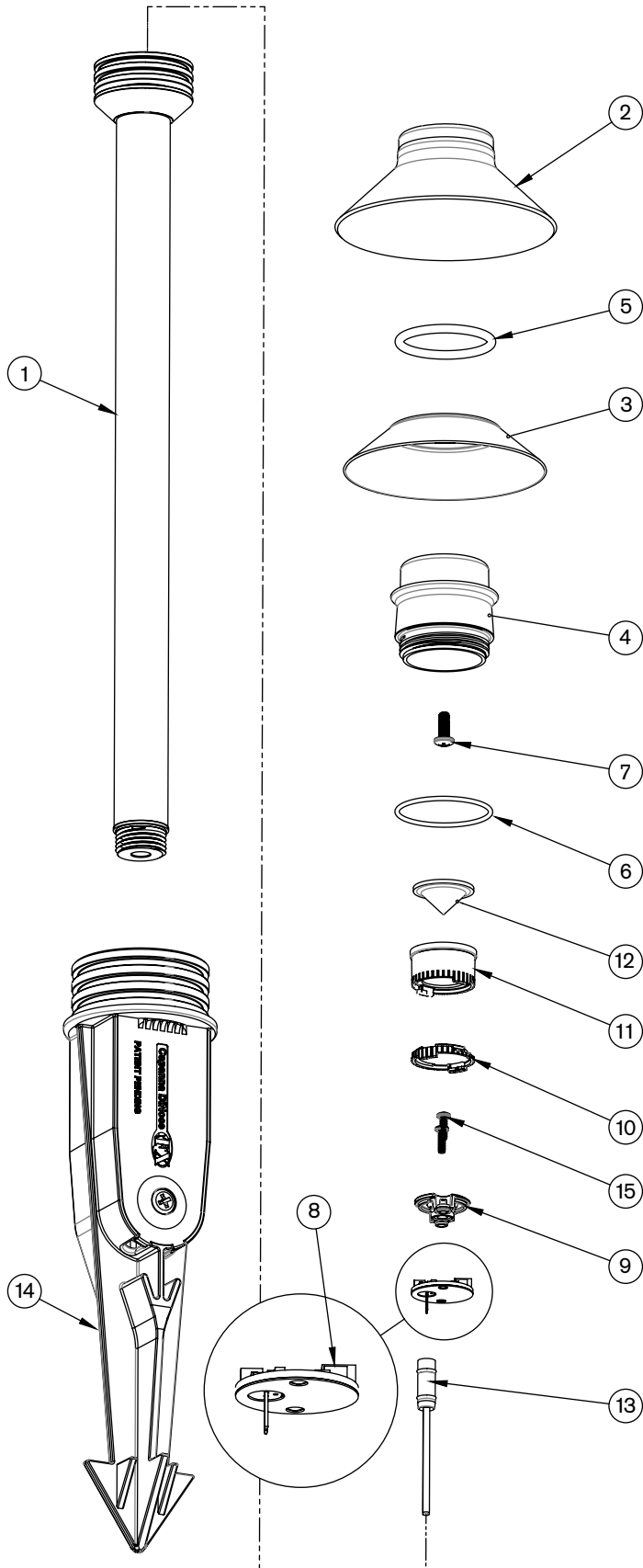
PATH LIGHTS	1	RS LIGHT.....	38
SP LIGHT.....	1	SI LIGHT.....	39
HC LIGHT, LED.....	2	CC LIGHT	40
CV LIGHT.....	3	NP LIGHT.....	41
DM LIGHT	4	VS LIGHT.....	42
JS LIGHT	5	LO, LR, MU, & RS LIGHTS.....	43
QF LIGHT.....	6	DOWN LIGHTS	44
BD LIGHT.....	7	JB LIGHT	44
CA LIGHT.....	8	MD LIGHT	45
AP LIGHT.....	9	CL LIGHT.....	46
AN LIGHT.....	10	LE LIGHT	47
DR LIGHT, 2 TIER.....	11	LS LIGHT	48
DR LIGHT, 3 TIER.....	12	TC LIGHT.....	49
DS LIGHT, 2 TIER.....	13	TS LIGHT.....	50
DS LIGHT, 3 TIER.....	14	VL LIGHT	51
EA LIGHT.....	15	WALL LIGHTS	52
SC LIGHT.....	16	BP LIGHT.....	52
PF LIGHT	17	CP LIGHT.....	53
PR LIGHT.....	18	CP LIGHT, LED.....	54
FG LIGHT.....	19	LM LIGHT.....	55
DP LIGHT.....	20	LM LIGHT, LED	56
AL LIGHT	21	LF LIGHT	57
CB LIGHT	22	MS LIGHT	58
DL LIGHT.....	23	MM LIGHT	59
GN LIGHT	24	CG LIGHT	60
GT LIGHT.....	25	PD LIGHT.....	61
PM LIGHT	26	PD LIGHT, LED	62
PV LIGHT.....	27	UN LIGHT.....	63
TD LIGHT.....	28	UN LIGHT, LED.....	64
UP LIGHTS	29	ML LIGHT.....	65
FB LIGHT.....	29	WELL LIGHTS	66
PB LIGHT.....	30	CF LIGHT.....	66
CM LIGHT	31	FC LIGHT.....	67
LO LIGHT.....	32	PE LIGHT.....	68
CR LIGHT.....	33	RP LIGHT.....	69
LR LIGHT	34	TE LIGHT	70
MP LIGHT	35	RP & TE LIGHTS.....	71
MU LIGHT	36	LAMP CHART - HALOGEN, MR-16, 12V	71
RL LIGHT.....	37		



SP LIGHT		
ITEM	DESCRIPTION	CATALOG #
1	Riser Assembly, 3/4" Dia	XRA075XX*
2	Copper Shade & Brass Top	SPTAXX*
3	Reflector	250011970000
4	Screw	250011950000
5	Seal, Silicon	250011980000
6	Lens, Glass	250011960000
7	Reducer, Brass	250011820000
8	Socket	250010730000
9	Super Slot Spike	753900
10	12V Lamp (see chart)	
11	O-Ring	250010280004

LAMP CHART	
DESCRIPTION	CATALOG #
Lamp, Bi-Pin Xenon 10w 10K Hrs	250010260001
Lamp, Bi-Pin Xenon 15w 10K Hrs	250010260002
Lamp, Bi-Pin Xenon 20w 5K Hrs	250010260003
Lamp, Mini Bi-Pin Halogen 10w 2K Hrs	250010250000
Lamp, Mini Bi-Pin Halogen 20w 2K Hrs	250010250001

* X = riser height in inches, XX = powder coat color code

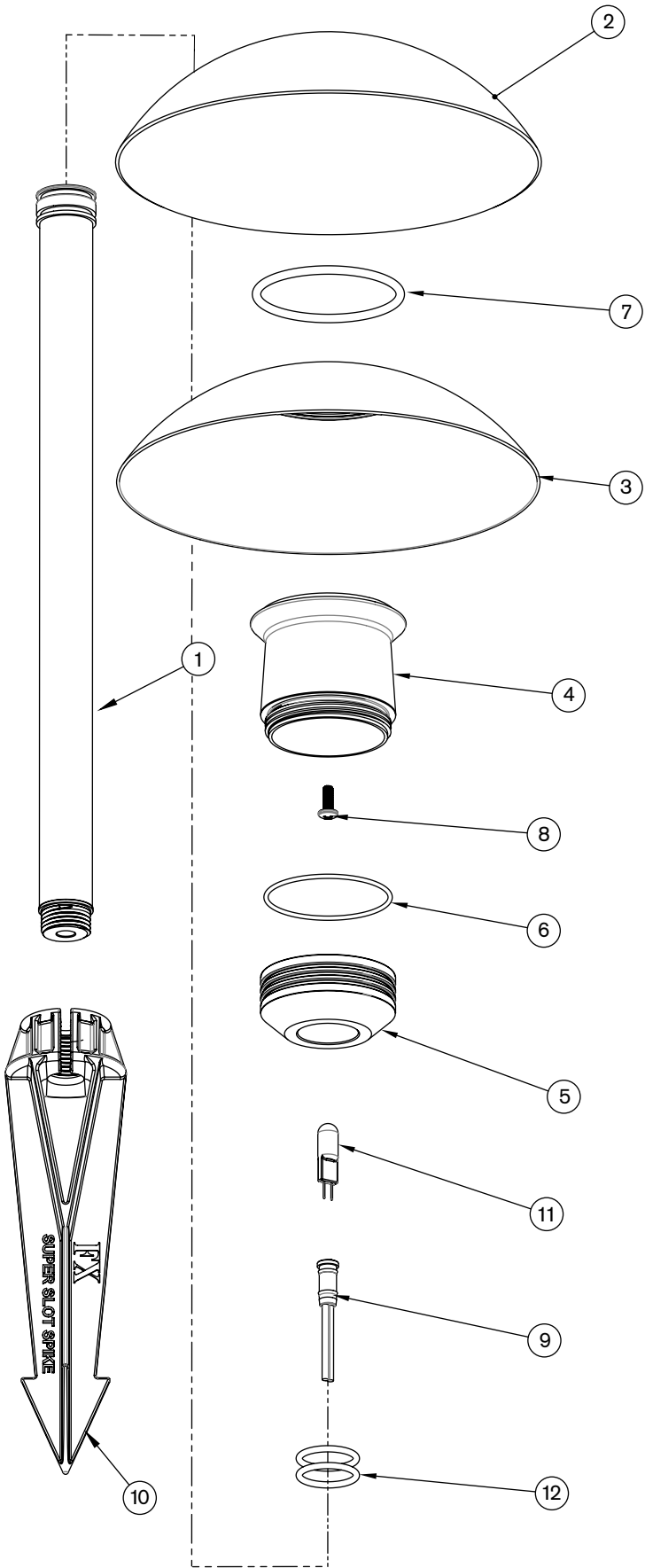


HC LIGHT, LED		
ITEM	DESCRIPTION	CATALOG #
1	Riser Assembly, 3/4" Dia	25001460YYXX*
2	Copper Shade & Brass Top	-
3	Reflector	756200
4	Lens	753000
5	O-Ring	250010280010
6	O-Ring	250010280008
7	Screw	750103
8	1LED Board	751900
9	Reflector (see chart)	
10	Filter, Color (see chart)	
11	Reflector Support (see chart)	
12	Cone Reflector (see chart)	
13	Socket	752600
14	CDS Spike	250011560000
15	Screw	762400

REFLECTOR CHART	
DESCRIPTION	CATALOG #
1x Reflector	750001
1x Cone Reflector	750201
1x Reflector Support	750800

LED CHART	
DESCRIPTION	CATALOG #
1x Color Filter, Amber	751600
1x Color Filter, Blue	751601
1x Color Filter, Green	751602
1LED Board	751900

* X = riser height in inches, XX = powder coat color code



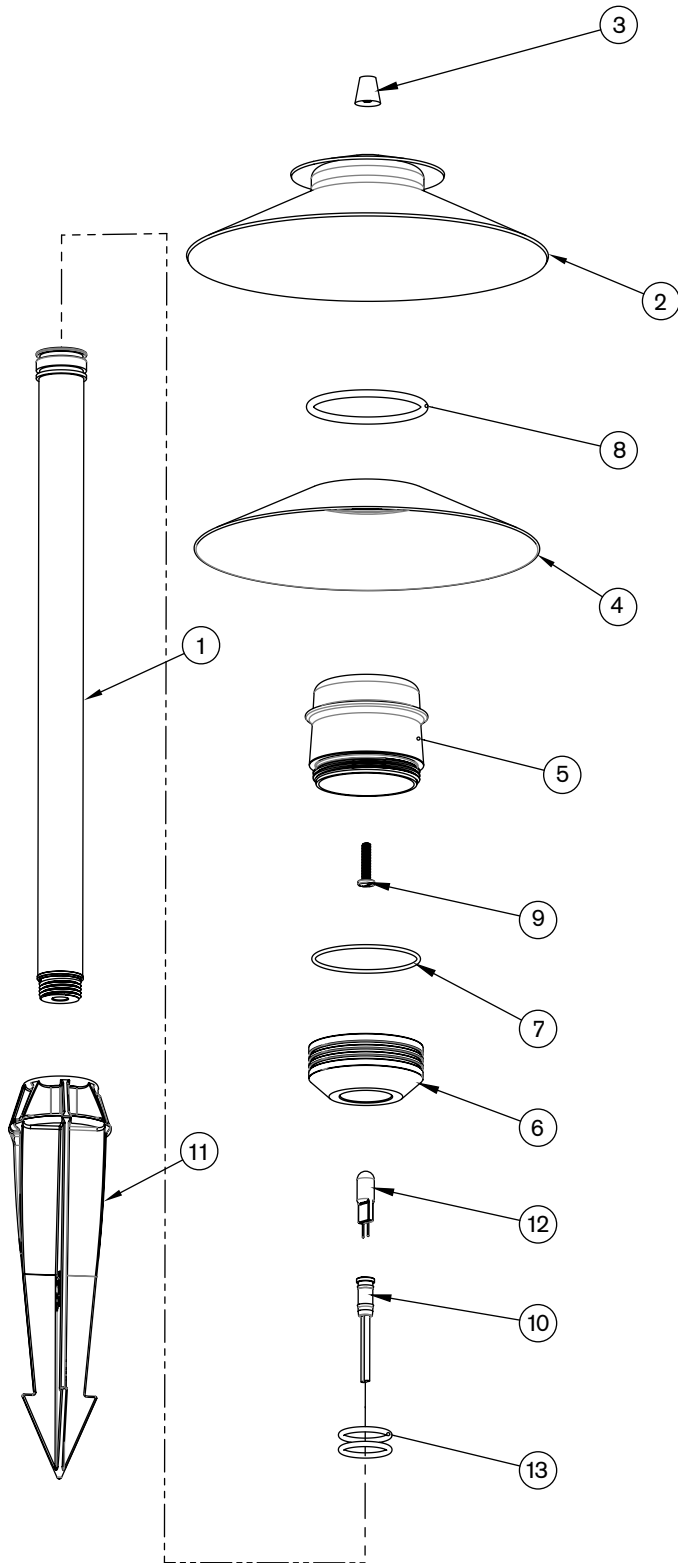
CV LIGHT

ITEM	DESCRIPTION	CATALOG #
1	Riser Assembly, 3/4" Dia	XRA075XX*
2	Copper Shade & Brass Top	CVTAXX*
3	Reflector	756300
4	Lens	753401
5	Reducer, Brass	250013300000
6	O-Ring -032	250010280009
7	O-Ring -228	250010280012
8	Screw	750103
9	Socket	250010730000
10	Super Slot Spike	753900
11	12V Lamp (see chart)	
12	O-Ring	250010280004

LAMP CHART

DESCRIPTION	CATALOG #
Lamp, Bi-Pin Xenon 10w 10K Hrs	250010260001
Lamp, Bi-Pin Xenon 15w 10K Hrs	250010260002
Lamp, Bi-Pin Xenon 20w 5K Hrs	250010260003
Lamp, Mini Bi-Pin Halogen 10w 2K Hrs	250010250000
Lamp, Mini Bi-Pin Halogen 20w 2K Hrs	250010250001

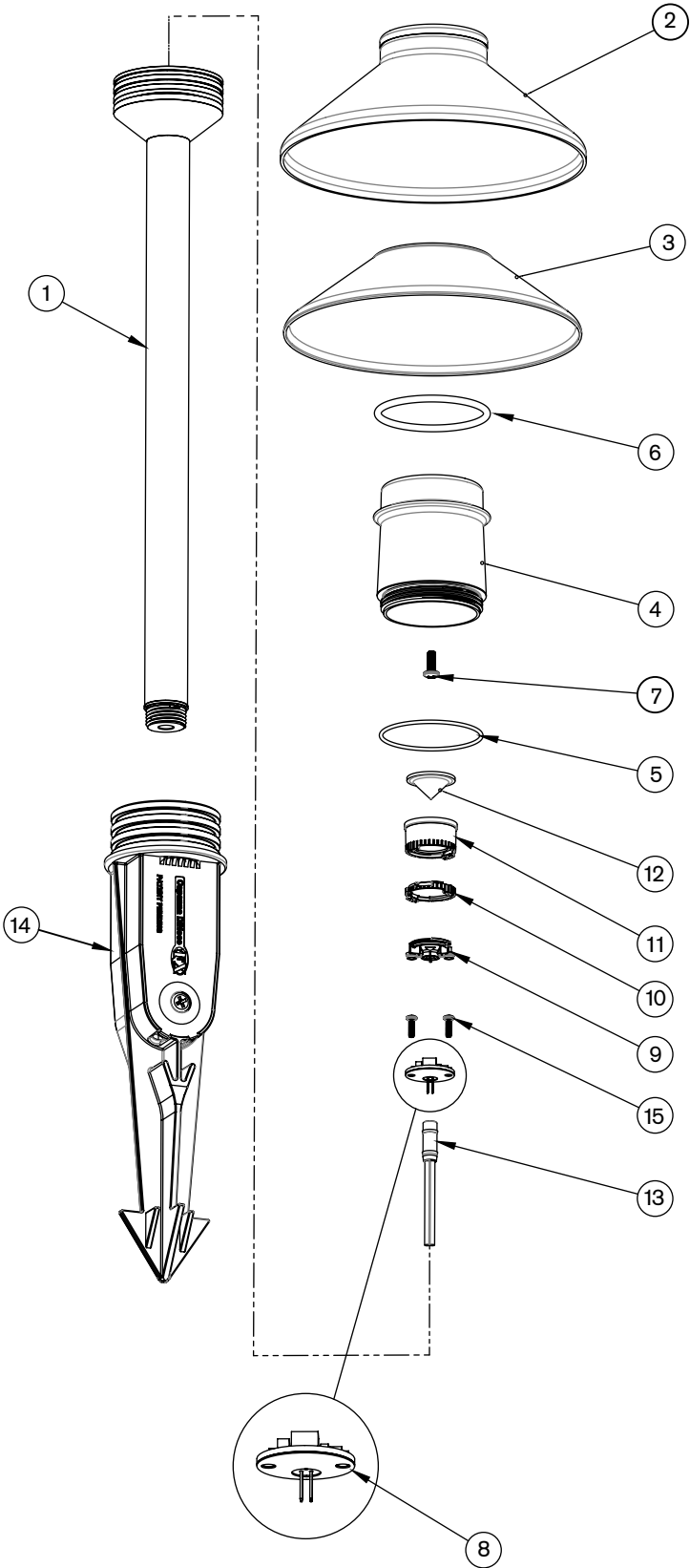
* X = riser height in inches, XX = powder coat color code



DM LIGHT		
ITEM	DESCRIPTION	CATALOG #
1	Riser Assembly, 3/4" Dia	XRA075XX*
2	Copper Top & Shade	DMTAXX*
3	Brass Top Nut	250012300000
4	Reflector	754900
5	Lens	753501
6	Reducer	250013300000
7	O-Ring -032	250010280009
8	O-Ring -226	250010280011
9	Screw	250012320000
10	Socket	250010730000
11	Super Slot Spike	753900
12	12V Lamp - (see chart)	
13	O-Ring	250010280004

LAMP CHART	
DESCRIPTION	CATALOG #
Lamp, Bi-Pin Xenon 10w 10K Hrs	250010260001
Lamp, Bi-Pin Xenon 15w 10K Hrs	250010260002
Lamp, Bi-Pin Xenon 20w 5K Hrs	250010260003
Lamp, Mini Bi-Pin Halogen 10w 2K Hrs	250010250000
Lamp, Mini Bi-Pin Halogen 20w 2K Hrs	250010250001

* X = riser height in inches, XX = powder coat color code

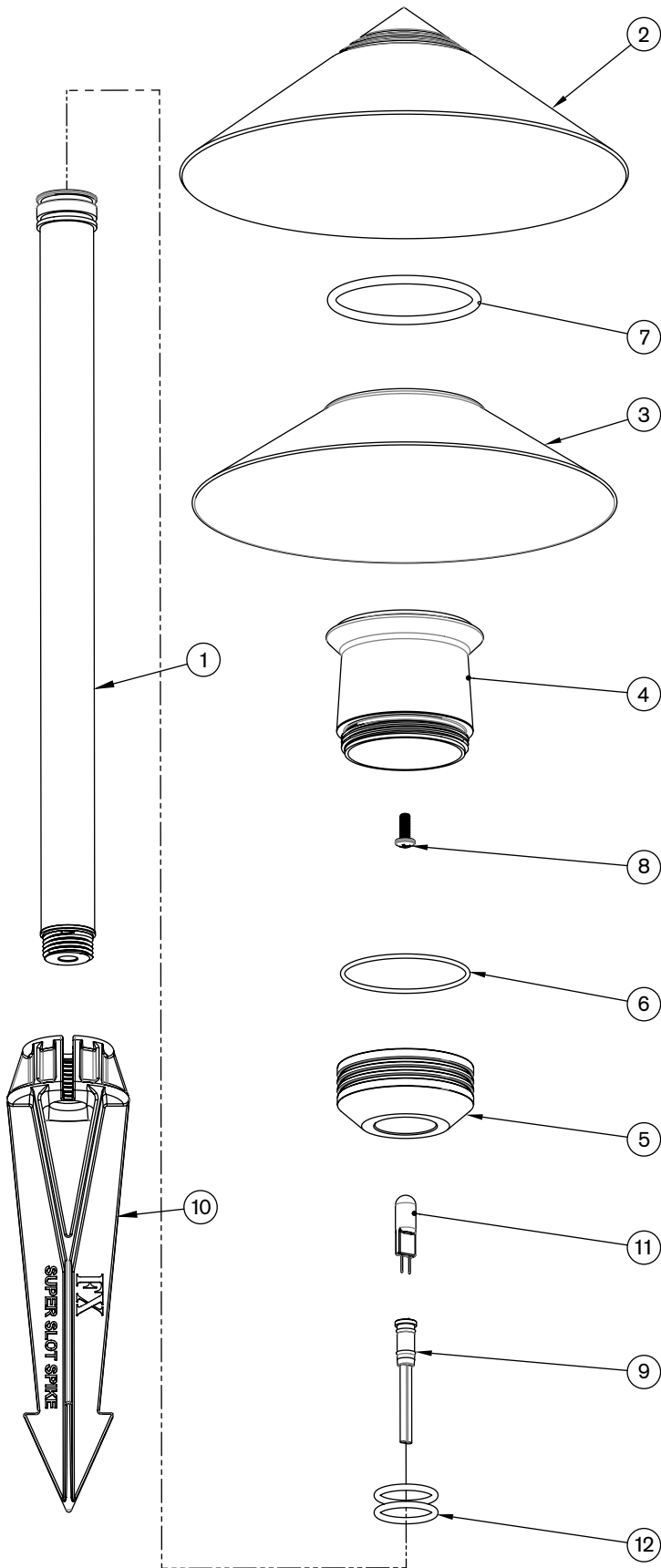


JS LIGHT		
ITEM	DESCRIPTION	CATALOG #
1	Riser Assembly	-
2	Copper Shade & Brass Top	-
3	Reflector	755000
4	Lens	753300
5	O-Ring -032	250010280009
6	O-Ring -226	250010280011
7	Screw	750103
8	LED Board (see chart)	
9	LED Reflector (see chart)	
10	Color Filter (see chart)	
11	Cone Reflector Lens (see chart)	
12	Cone Reflector (see chart)	
13	LED Socket	752600
14	CDS Spike	250011560000
15	Screw	762400

REFLECTOR CHART	
DESCRIPTION	CATALOG #
1x Reflector	750001
1x Upper Reflector	750201
1x Reflector Support	750800
3x Reflector	750401
3x Upper Reflector	750601
3x Reflector Support	751200

LED CHART	
DESCRIPTION	CATALOG #
1x Color Filter, Amber	751600
1x Color Filter, Blue	751601
1x Color Filter, Green	751602
1LED Board	751900
3x Color Filter, Amber	751700
3x Color Filter, Blue	751701
3x Color Filter, Green	751702
3LED Board	752000

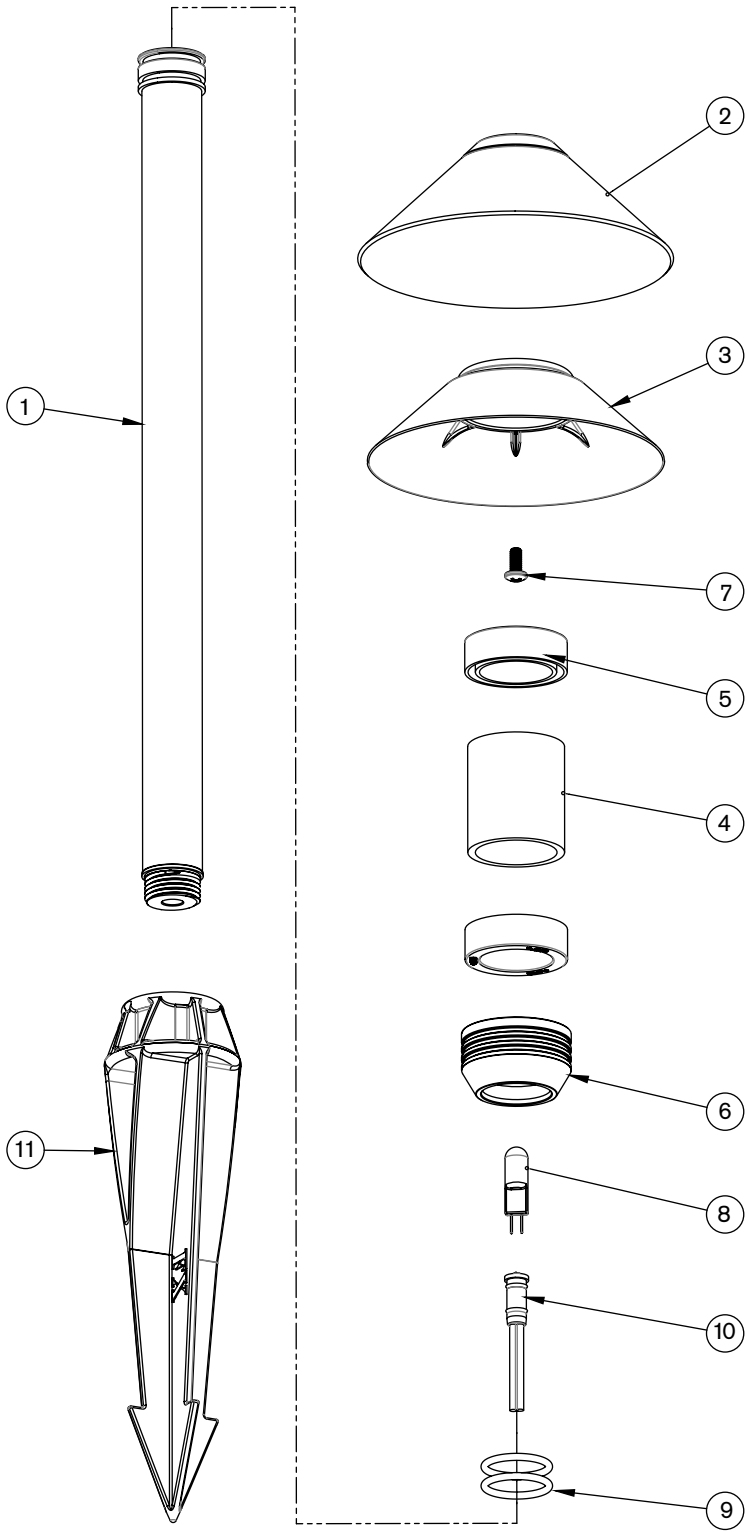
* X = riser height in inches, XX = powder coat color code



QF LIGHT		
ITEM	DESCRIPTION	CATALOG #
1	Riser Assembly, 3/4" Dia	XRA075XX*
2	Copper Shade & Brass Top	QFTAXX*
3	Reflector	755100
4	Lens	753401
5	Reducer, Brass	250013300000
6	O-Ring -032	250010280009
7	O-Ring -228	250010280012
8	Screw	750103
9	Socket	250010730000
10	Super Slot Spike	753900
11	12V Lamp (see chart)	
12	O-Ring	250010280004

LAMP CHART	
DESCRIPTION	CATALOG #
Lamp, Bi-Pin Xenon 10w 10K Hrs	250010260001
Lamp, Bi-Pin Xenon 15w 10K Hrs	250010260002
Lamp, Bi-Pin Xenon 20w 5K Hrs	250010260003
Lamp, Mini Bi-Pin Halogen 10w 2K Hrs	250010250000
Lamp, Mini Bi-Pin Halogen 20w 2K Hrs	250010250001

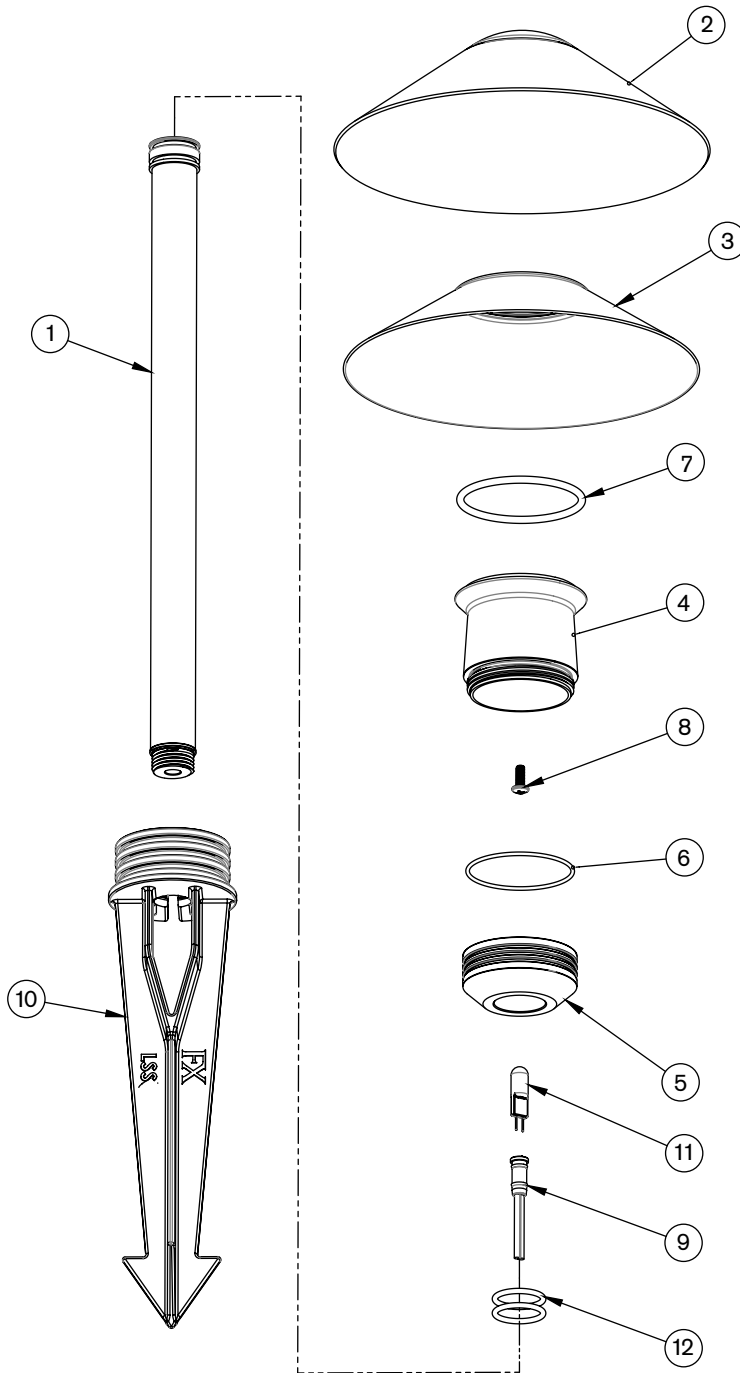
* X = riser height in inches, XX = powder coat color code



BD LIGHT		
ITEM	DESCRIPTION	CATALOG #
1	Riser Subassembly, 3/4" Dia	XRA075XX*
2	Copper Shade & Brass Top	BDTAXX*
3	Reflector	250012180000
4	Lens	250012120000
5	Seal, Silicone	250012140000
6	Reducer, Brass	250012090000
7	Screw	250011950000
8	Lamp (see chart)	
9	O-Ring	250010280004
10	Socket	754600
11	Super Slot Spike	753900

LAMP CHART	
DESCRIPTION	CATALOG #
Lamp, Bi-Pin Xenon 10w 10K Hrs	250010260001
Lamp, Bi-Pin Xenon 15w 10K Hrs	250010260002
Lamp, Bi-Pin Xenon 20w 5K Hrs	250010260003
Lamp, Mini Bi-Pin Halogen 10w 2K Hrs	250010250000
Lamp, Mini Bi-Pin Halogen 20w 2K Hrs	250010250001

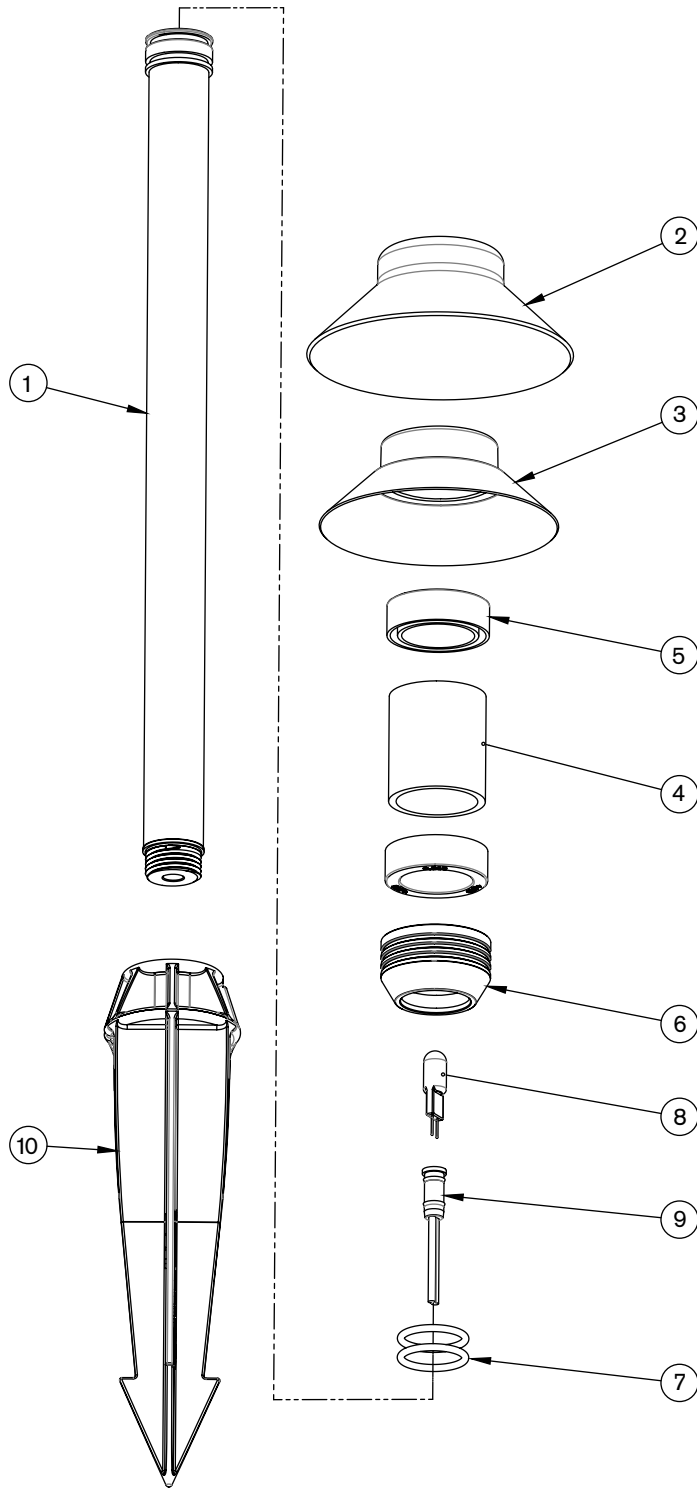
* X = riser height in inches, XX = powder coat color code



CA LIGHT		
ITEM	DESCRIPTION	CATALOG #
1	Riser Subassembly, 3/4"	XRA075XX*
2	Copper Shade & Brass Top	CATAXX*
3	Reflector	755100
4	Lens	753401
5	Reducer, Brass	250013300000
6	O-Ring, -032	250010280009
7	O-Ring, -228	250010280012
8	Screw	750103
9	Socket	250010730000
10	Large Slot Spike (LSS)	250015840000
11	Lamp (see chart)	
12	O-Ring	250010280004

LAMP CHART	
DESCRIPTION	CATALOG #
Lamp, Bi-Pin Xenon 10w 10K Hrs	250010260001
Lamp, Bi-Pin Xenon 15w 10K Hrs	250010260002
Lamp, Bi-Pin Xenon 20w 5K Hrs	250010260003
Lamp, Mini Bi-Pin Halogen 10w 2K Hrs	250010250000
Lamp, Mini Bi-Pin Halogen 20w 2K Hrs	250010250001

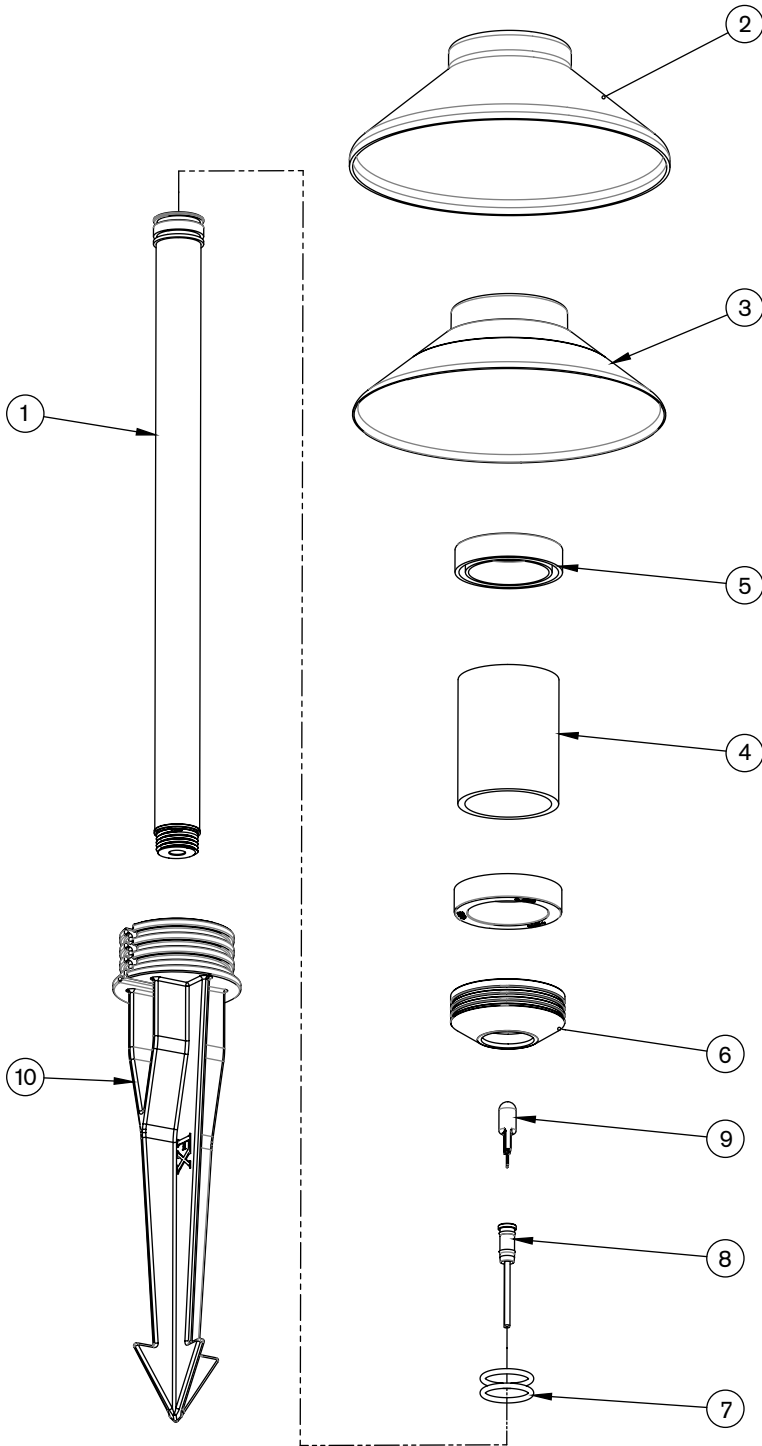
* X = riser height in inches, XX = powder coat color code



AP LIGHT		
ITEM	DESCRIPTION	CATALOG #
1	Riser Subassembly, 3/4" Dia	XRA075XX*
2	Copper Top Shade	APTAXX*
3	Reflector	250012130000
4	Lens	250012120000
5	Seal, Silicone	250012140000
6	Reducer, Brass	250012090000
7	O-Ring	250010280004
8	Lamp (see chart)	
9	Socket	250010730000
10	Super Slot Spike	753900

LAMP CHART	
DESCRIPTION	CATALOG #
Lamp, Bi-Pin Xenon 10w 10K Hrs	250010260001
Lamp, Bi-Pin Xenon 15w 10K Hrs	250010260002
Lamp, Bi-Pin Xenon 20w 5K Hrs	250010260003
Lamp, Mini Bi-Pin Halogen 10w 2K Hrs	250010250000
Lamp, Mini Bi-Pin Halogen 20w 2K Hrs	250010250001

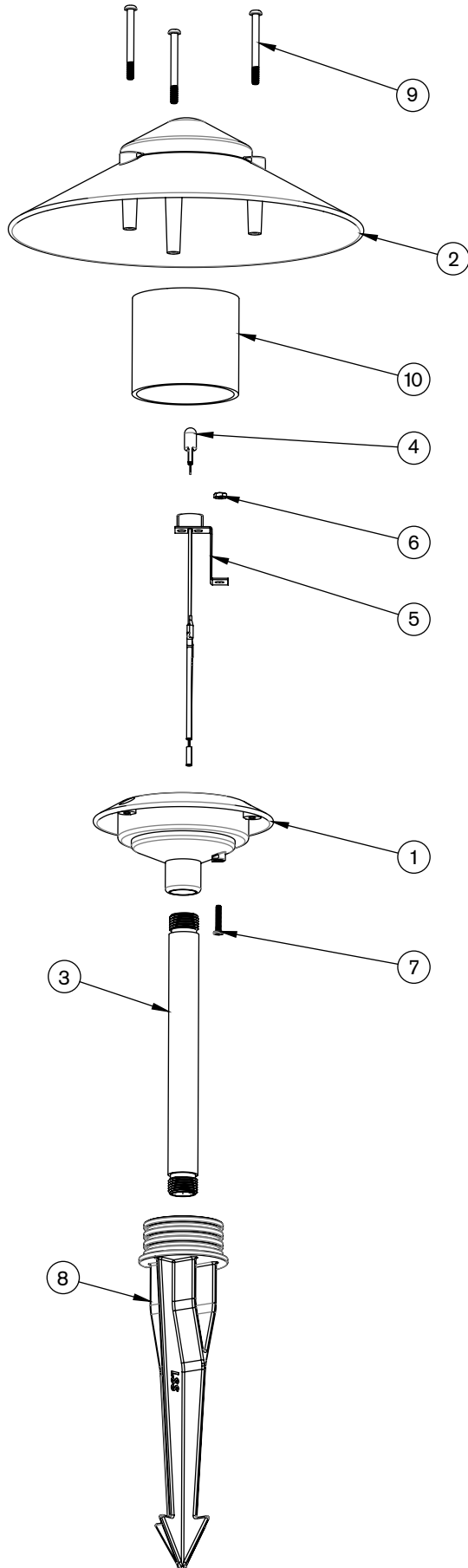
* X = riser height in inches, XX = powder coat color code



AN LIGHT		
ITEM	DESCRIPTION	CATALOG #
1	Riser Subassembly, 3/4" Dia	XRA075XX*
2	Copper Top Shade	APTAXX*
3	Reflector	250012420000
4	Lens	250012400000
5	Seal, Silicone	250012410000
6	Reducer, Brass	250012370000
7	O-Ring	250010280004
8	Socket	250010730000
9	Lamp (see chart)	
10	Large Slot Spike (LSS)	250015840000

LAMP CHART	
DESCRIPTION	CATALOG #
Lamp, Bi-Pin Xenon 10w 10K Hrs	250010260001
Lamp, Bi-Pin Xenon 15w 10K Hrs	250010260002
Lamp, Bi-Pin Xenon 20w 5K Hrs	250010260003
Lamp, Mini Bi-Pin Halogen 10w 2K Hrs	250010250000
Lamp, Mini Bi-Pin Halogen 20w 2K Hrs	250010250001

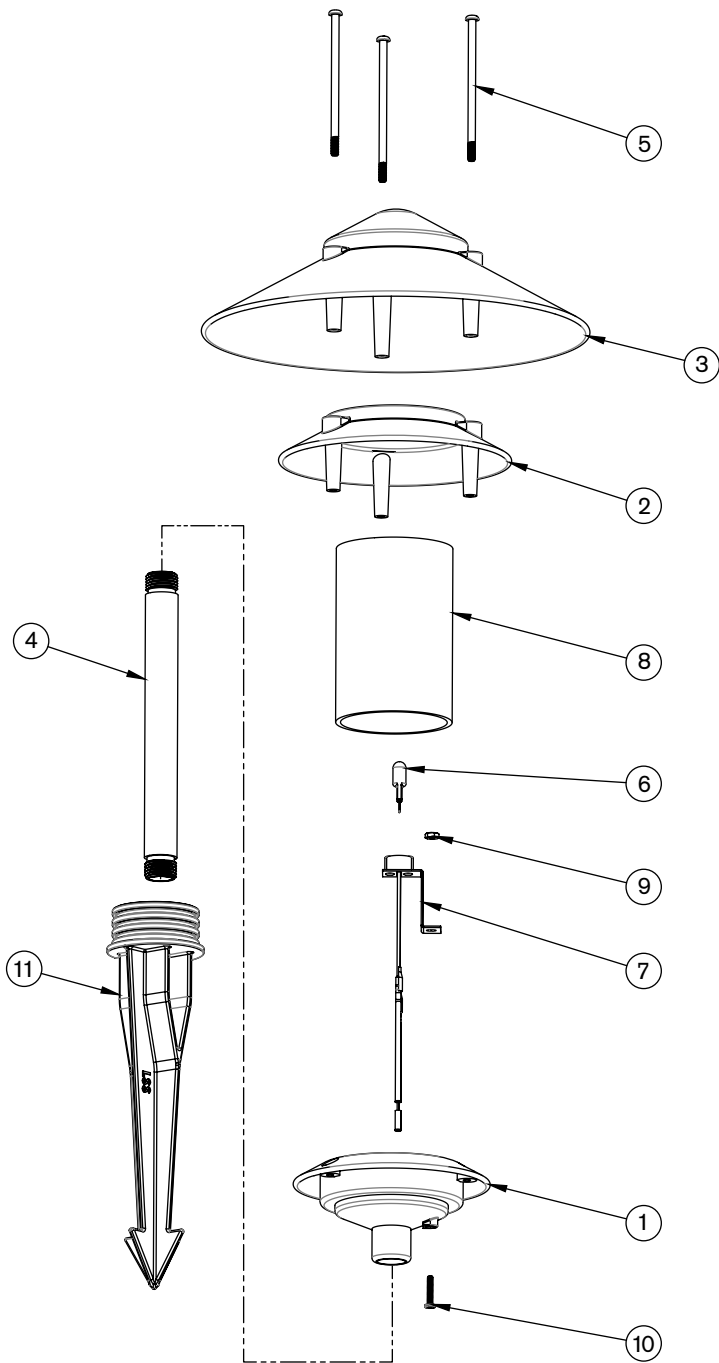
* X = riser height in inches, XX = powder coat color code



DR LIGHT, 2 TIER		
ITEM	DESCRIPTION	CATALOG #
1	Base, Tier	2500114800XX*
2	Tier, Top	2500114600XX*
3	Riser, Aluminum, Cut, 1/2"	XXXX*
4	Lamp (see chart)	
5	Socket	250011490000
6	Nut, Hex, 6-32	250011510000
7	Screw	250011500000
8	Large Slot Spike (LSS)	250015840000
9	Screw	250011550000
10	Lens	250011620000

LAMP CHART	
DESCRIPTION	CATALOG #
Lamp, Bi-Pin Xenon 10w 10K Hrs	250010260001
Lamp, Bi-Pin Xenon 15w 10K Hrs	250010260002
Lamp, Bi-Pin Xenon 20w 5K Hrs	250010260003
Lamp, Mini Bi-Pin Halogen 10w 2K Hrs	250010250000
Lamp, Mini Bi-Pin Halogen 20w 2K Hrs	250010250001

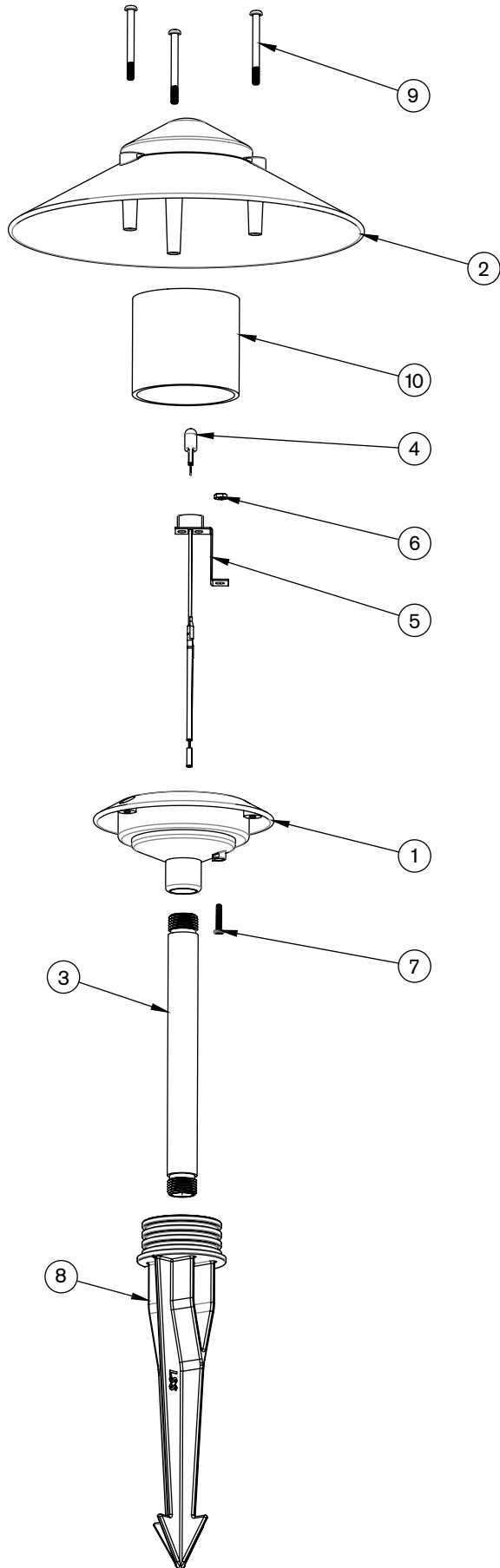
* X = riser height in inches, XX = powder coat color code



DR LIGHT, 3 TIER		
ITEM	DESCRIPTION	CATALOG #
1	Base, Tier	2500114800XX*
2	Tier, Middle	2500114700XX*
3	Tier, Top	2500114600XX*
4	Riser, Aluminum, Cut, 1/2"	XRXX*
5	Screw	250011520000
6	Lamp (see chart)	
7	Socket	250011490000
8	Lens	250011610000
9	Nut, Hex, 6-32	250011510000
10	Screw	250011500000
11	Large Slot Spike (LSS)	250015840000

LAMP CHART	
DESCRIPTION	CATALOG #
Lamp, Bi-Pin Xenon 10w 10K Hrs	250010260001
Lamp, Bi-Pin Xenon 15w 10K Hrs	250010260002
Lamp, Bi-Pin Xenon 20w 5K Hrs	250010260003
Lamp, Mini Bi-Pin Halogen 10w 2K Hrs	250010250000
Lamp, Mini Bi-Pin Halogen 20w 2K Hrs	250010250001

* X = riser height in inches, XX = powder coat color code



DS LIGHT, 2 TIER		
ITEM	DESCRIPTION	CATALOG #
1	Base, Tier	2500114800XX*
2	Tier, Top	2500114600XX*
3	Riser, Aluminum, 1/2"	XRXX*
4	Lamp (see chart)	
5	Socket	250011490000
6	Nut, Hex, 6-32	250011510000
7	Screw	250011500000
8	Large Slot Spike (LSS)	250015840000
9	Screw	250011550000
10	Lens	250011620000

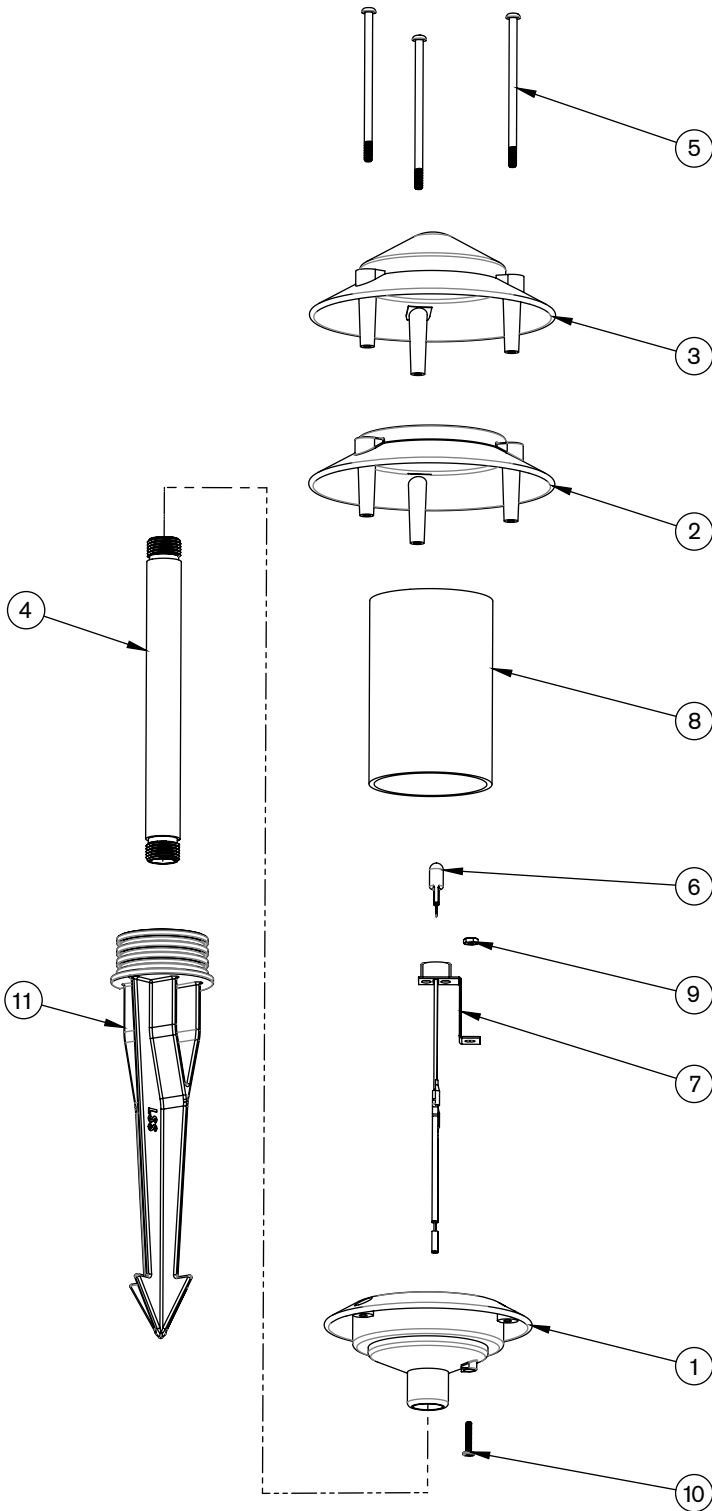
LAMP CHART	
DESCRIPTION	CATALOG #
Lamp, Bi-Pin Xenon 10w 10K Hrs	250010260001
Lamp, Bi-Pin Xenon 15w 10K Hrs	250010260002
Lamp, Bi-Pin Xenon 20w 5K Hrs	250010260003
Lamp, Mini Bi-Pin Halogen 10w 2K Hrs	250010250000
Lamp, Mini Bi-Pin Halogen 20w 2K Hrs	250010250001

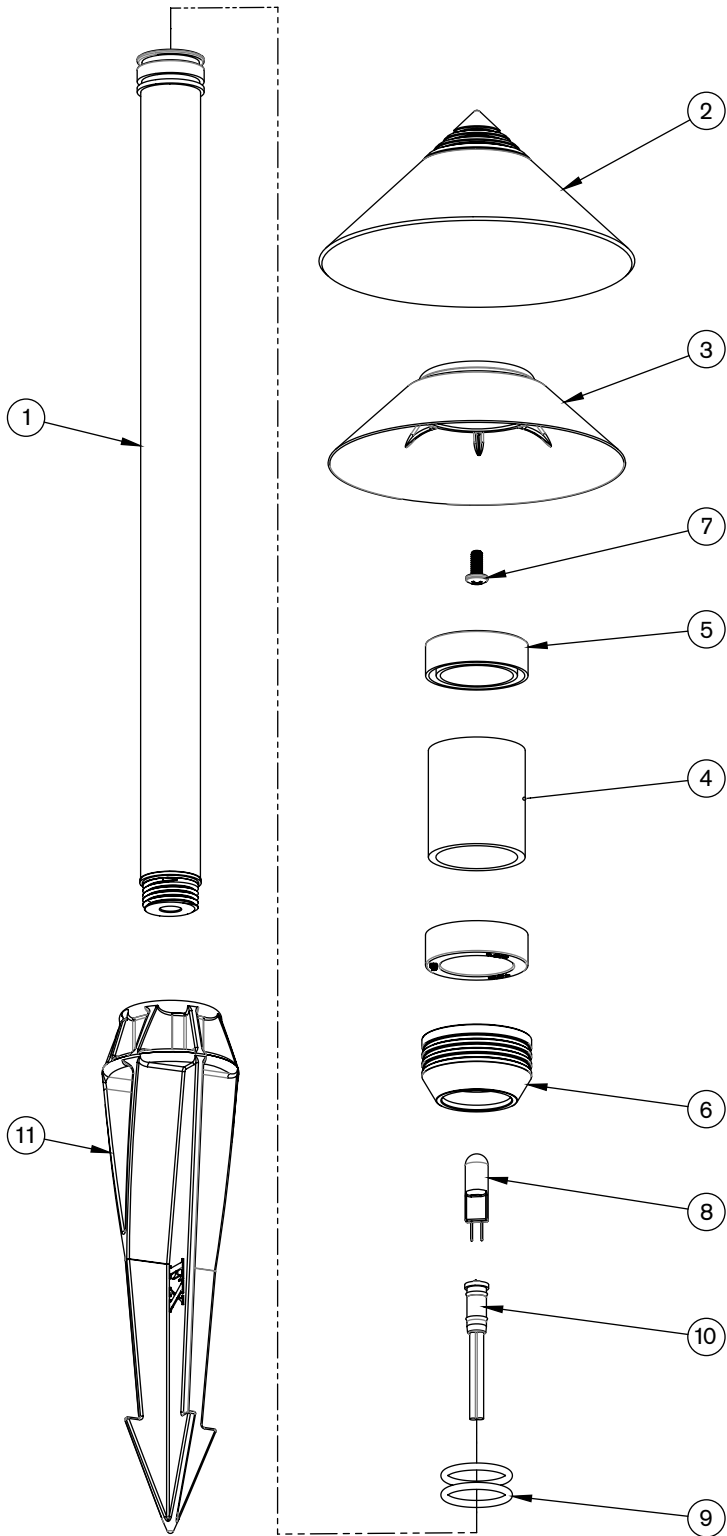
* X = riser height in inches, XX = powder coat color code

DS LIGHT, 3 TIER		
ITEM	DESCRIPTION	CATALOG #
1	Base, Tier	2500114800XX*
2	Tier, Middle	2500114700XX*
3	Tier, Top	2500115800XX*
4	Riser, Aluminum, Cut, 1/2"	XRXX*
5	Screw	250011520000
6	Lamp (see chart)	
7	Socket	250011490000
8	Lens	250011610000
9	Nut, Hex, 6-32	250011510000
10	Screw	250011500000
11	Large Slot Spike (LSS)	250015840000

LAMP CHART	
DESCRIPTION	CATALOG #
Lamp, Bi-Pin Xenon 10w 10K Hrs	250010260001
Lamp, Bi-Pin Xenon 15w 10K Hrs	250010260002
Lamp, Bi-Pin Xenon 20w 5K Hrs	250010260003
Lamp, Mini Bi-Pin Halogen 10w 2K Hrs	250010250000
Lamp, Mini Bi-Pin Halogen 20w 2K Hrs	250010250001

* X = riser height in inches, XX = powder coat color code

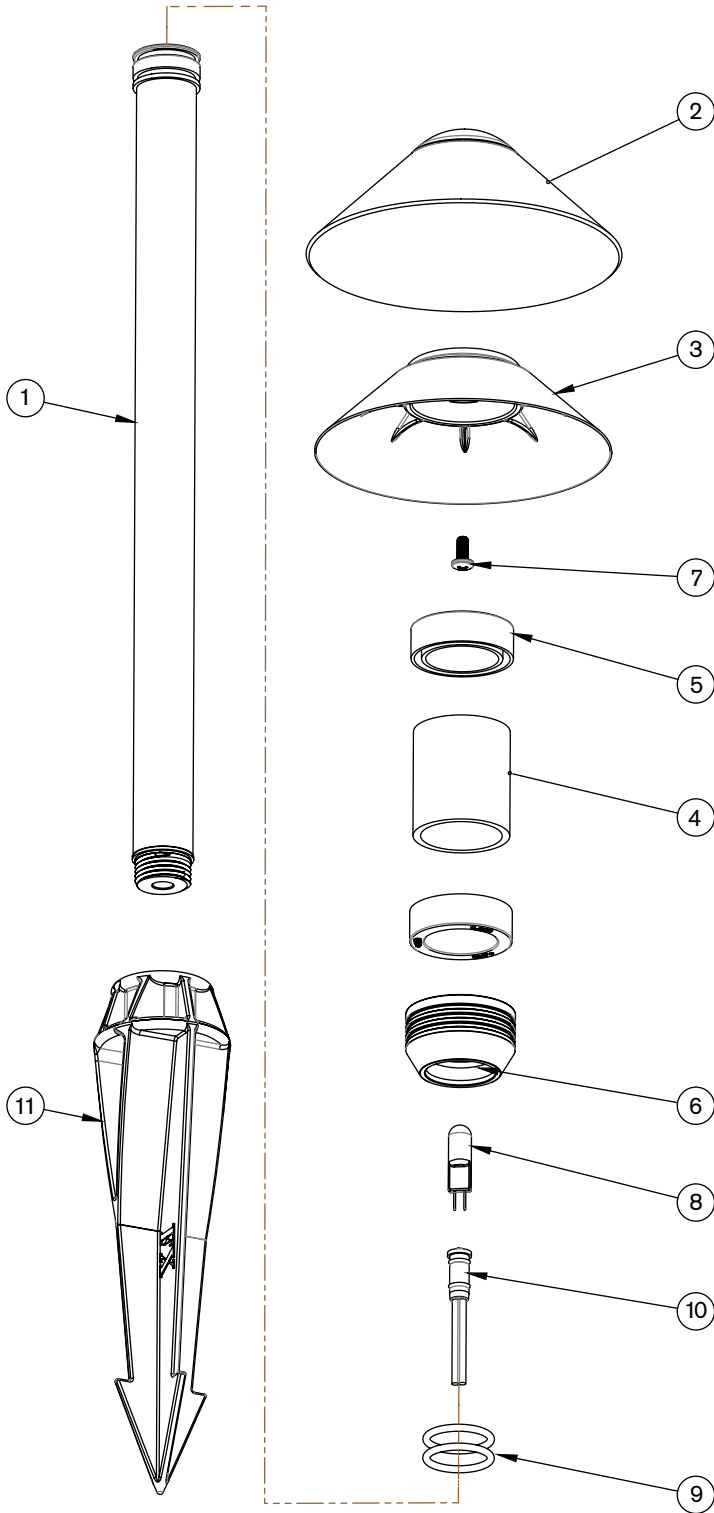




EA LIGHT		
ITEM	DESCRIPTION	CATALOG #
1	Riser Subassembly, 3/4" Dia	XRA075XX*
2	Copper Shade & Brass Top	EATAXX*
3	Reflector	250012180000
4	Lens	250012120000
5	Seal, Silicone	250012140000
6	Reducer, Brass	250012090000
7	Screw, PNH, 8-32 x 3/8 LG, Phil	250011950000
8	Lamp (see chart)	
9	O-Ring	250010280004
10	Socket	250010730000
11	Super Slot Spike	753900

LAMP CHART	
DESCRIPTION	CATALOG #
Lamp, Bi-Pin Xenon 10w 10K Hrs	250010260001
Lamp, Bi-Pin Xenon 15w 10K Hrs	250010260002
Lamp, Bi-Pin Xenon 20w 5K Hrs	250010260003
Lamp, Mini Bi-Pin Halogen 10w 2K Hrs	250010250000
Lamp, Mini Bi-Pin Halogen 20w 2K Hrs	250010250001

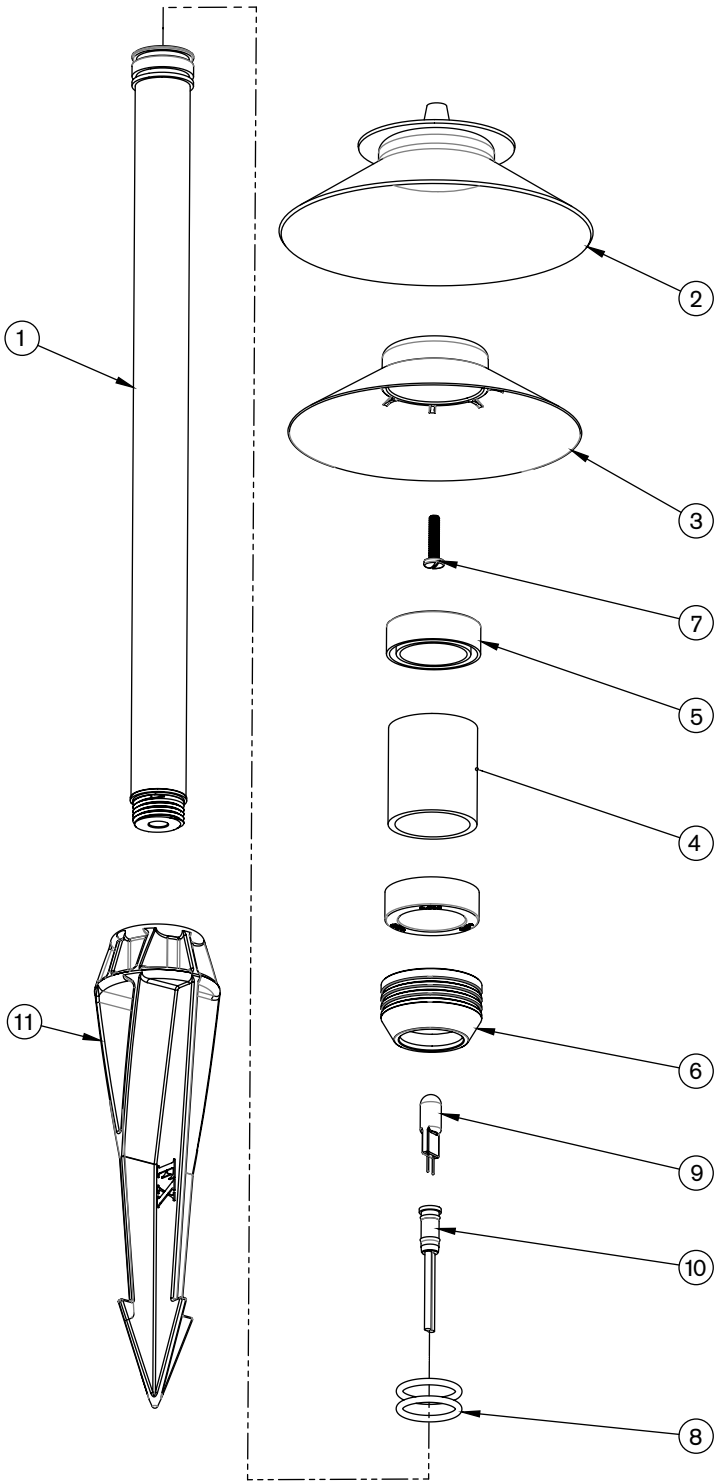
* X = riser height in inches, XX = powder coat color code



SC LIGHT		
ITEM	DESCRIPTION	CATALOG #
1	Riser Subassembly, 3/4"	XRA075XX*
2	Copper Shade & Brass Top	SCTAXX*
3	Reflector	250012180000
4	Lens	250012120000
5	Seal, Silicone	250012140000
6	Reducer, Brass	250012090000
7	Screw	250011950000
8	Lamp (see chart)	
9	O-Ring	250010280004
10	Socket	250010730000
11	Super Slot Spike	753900

LAMP CHART	
DESCRIPTION	CATALOG #
Lamp, Bi-Pin Xenon 10w 10K Hrs	250010260001
Lamp, Bi-Pin Xenon 15w 10K Hrs	250010260002
Lamp, Bi-Pin Xenon 20w 5K Hrs	250010260003
Lamp, Mini Bi-Pin Halogen 10w 2K Hrs	250010250000
Lamp, Mini Bi-Pin Halogen 20w 2K Hrs	250010250001

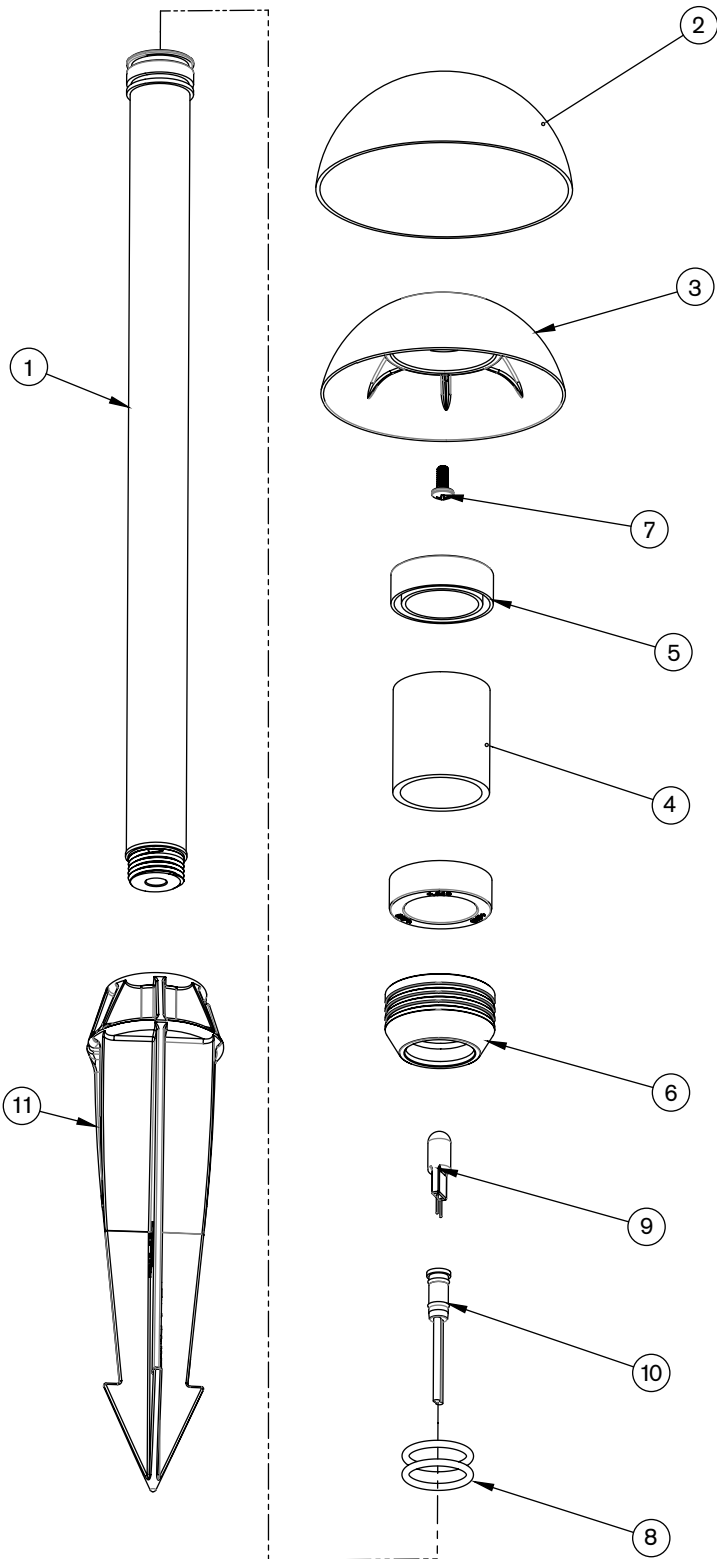
* For item 1: X = riser height in inches, XX = powder coat color code



PF LIGHT		
ITEM	DESCRIPTION	CATALOG #
1	Riser Subassembly, 3/4"	XRA075XX*
2	Copper Shade & Brass Top	PFTAXX*
3	Reflector	250012330000
4	Lens	250012120000
5	Seal, Silicone	250012140000
6	Reducer, Brass	250012090000
7	Screw	250012320000
8	O-Ring	250010280004
9	Lamp (see chart)	
10	Socket	250010730000
11	Super Slot Spike	753900

LAMP CHART	
DESCRIPTION	CATALOG #
Lamp, Bi-Pin Xenon 10w 10K Hrs	250010260001
Lamp, Bi-Pin Xenon 15w 10K Hrs	250010260002
Lamp, Bi-Pin Xenon 20w 5K Hrs	250010260003
Lamp, Mini Bi-Pin Halogen 10w 2K Hrs	250010250000
Lamp, Mini Bi-Pin Halogen 20w 2K Hrs	250010250001

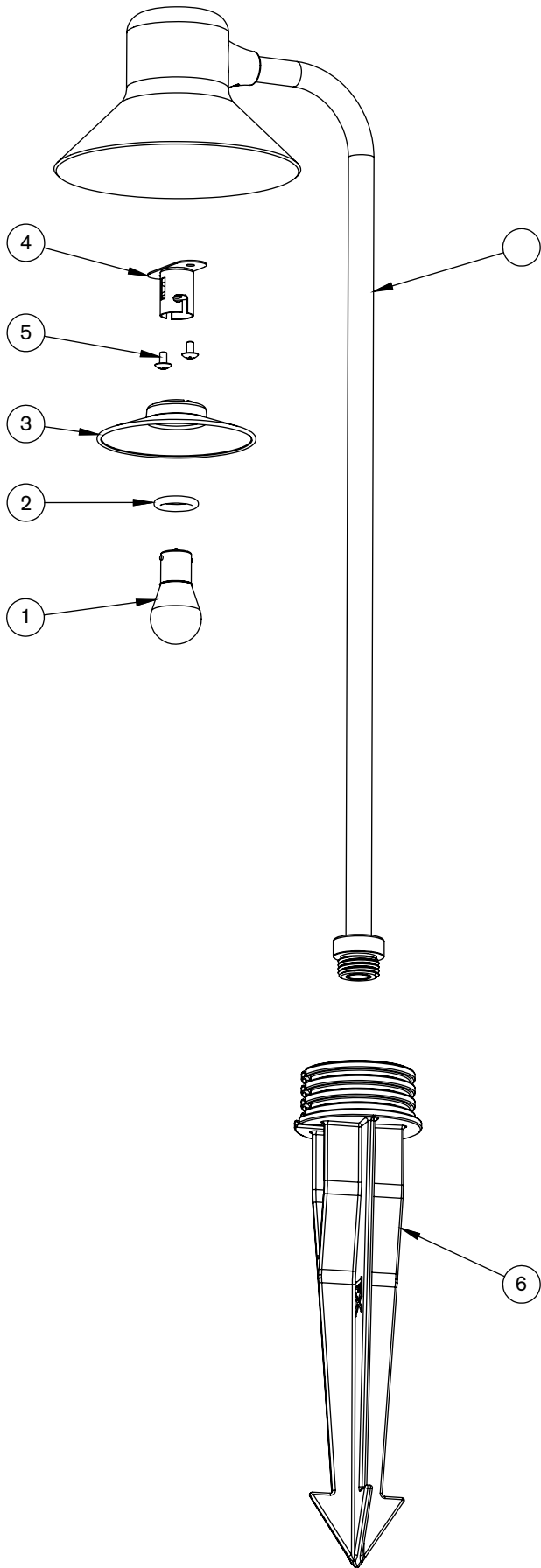
* For item 1: X = riser height in inches, XX = powder coat color code



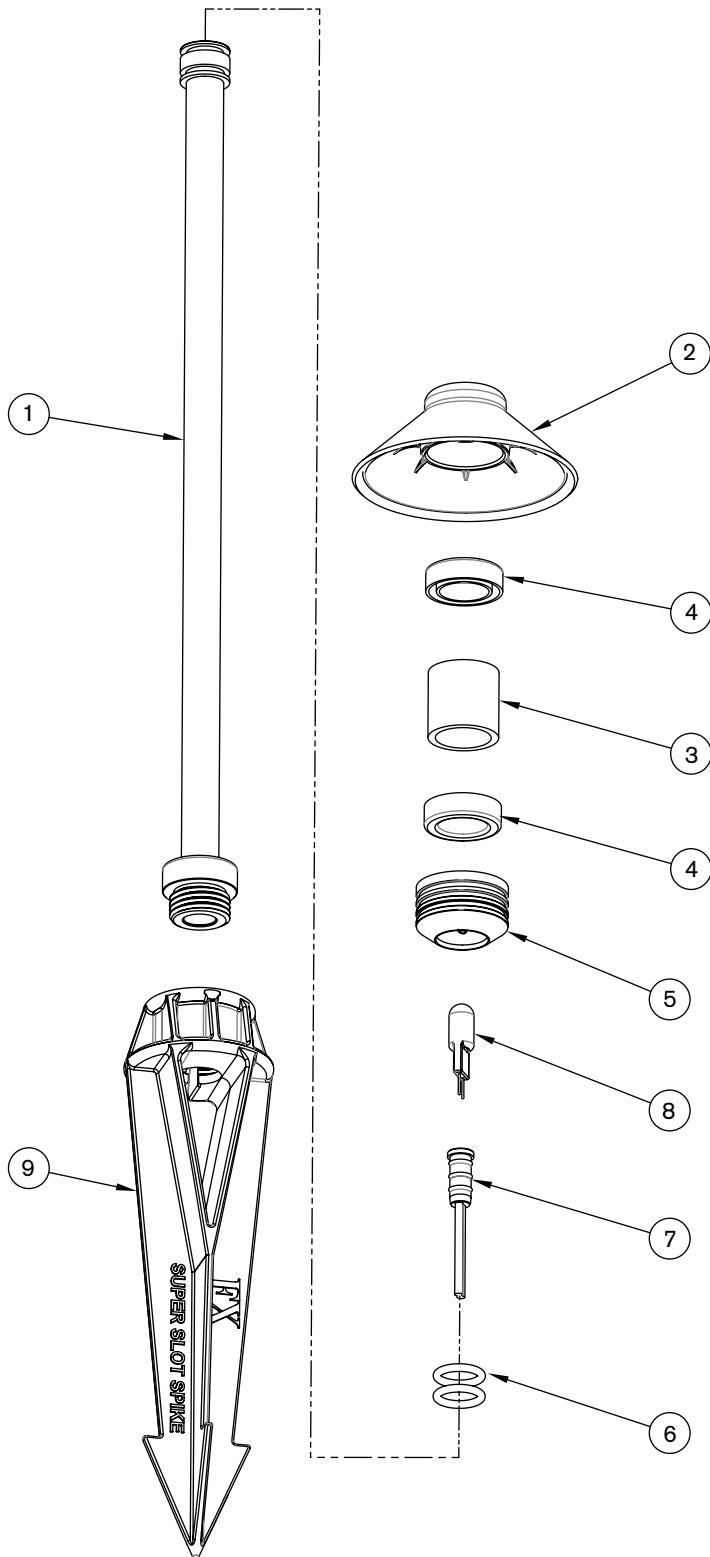
PR LIGHT		
ITEM	DESCRIPTION	CATALOG #
1	Riser Subassembly, 3/4"	XRA075XX*
2	Copper Shade & Brass Top	PRTAXX*
3	Reflector	250012330000
4	Lens	250012120000
5	Seal, Silicone	250012140000
6	Reducer, Brass	250012090000
7	Screw	250012320000
8	O-Ring	250010280004
9	Lamp (see chart)	
10	Socket	250010730000
11	Super Slot Spike	753900

LAMP CHART	
DESCRIPTION	CATALOG #
Lamp, Bi-Pin Xenon 10w 10K Hrs	250010260001
Lamp, Bi-Pin Xenon 15w 10K Hrs	250010260002
Lamp, Bi-Pin Xenon 20w 5K Hrs	250010260003
Lamp, Mini Bi-Pin Halogen 10w 2K Hrs	250010250000
Lamp, Mini Bi-Pin Halogen 20w 2K Hrs	250010250001

* For item 1: X = riser height in inches, XX = powder coat color code



FG LIGHT		
ITEM	DESCRIPTION	CATALOG #
1	Lamp	250010510000
2	O-Ring	250010280019
3	Reflector	250012740000
4	Socket	250012750000
5	Screw, 6-32 x 3/16	250010210000
6	Large Slot Spike (LSS)	250015840000

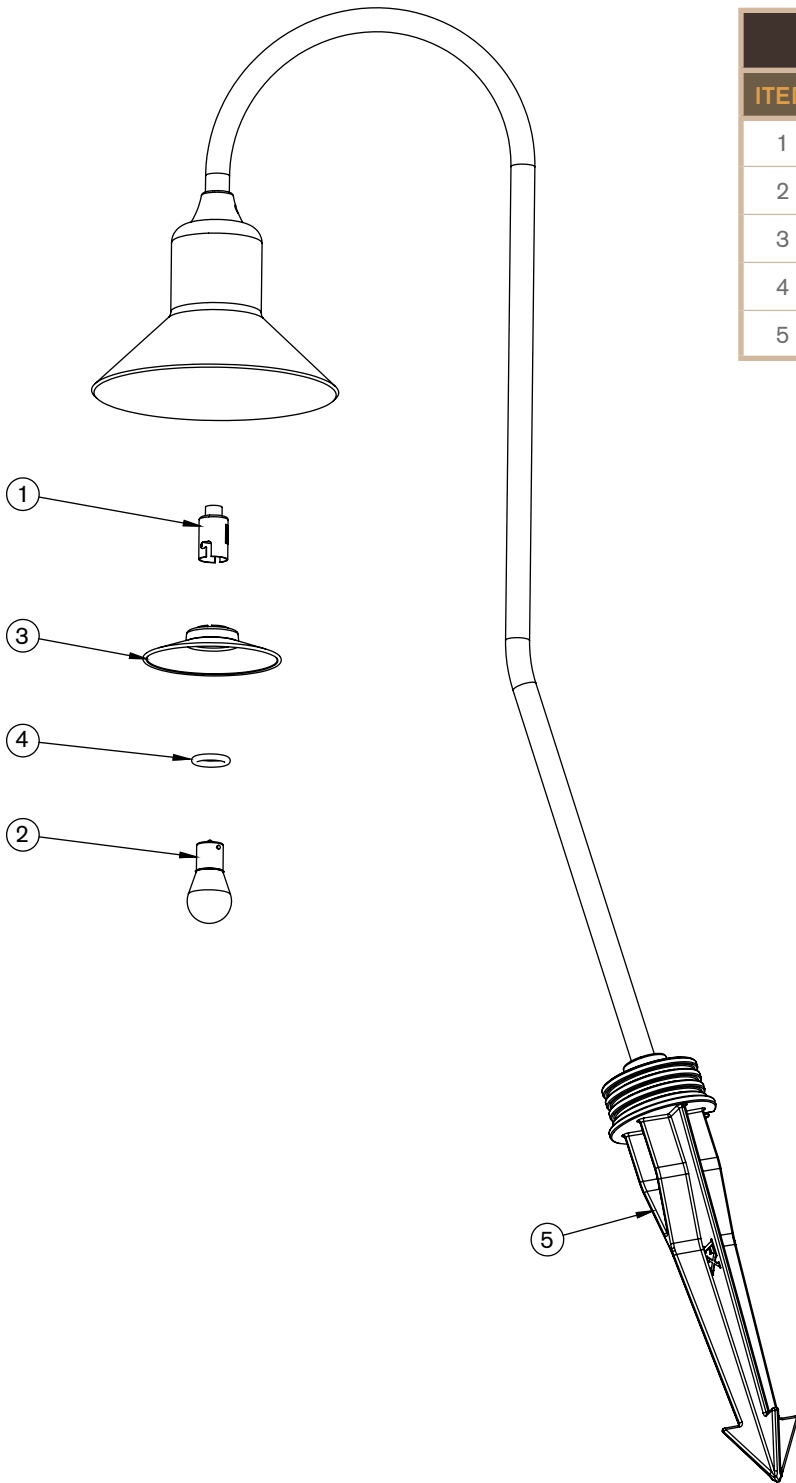


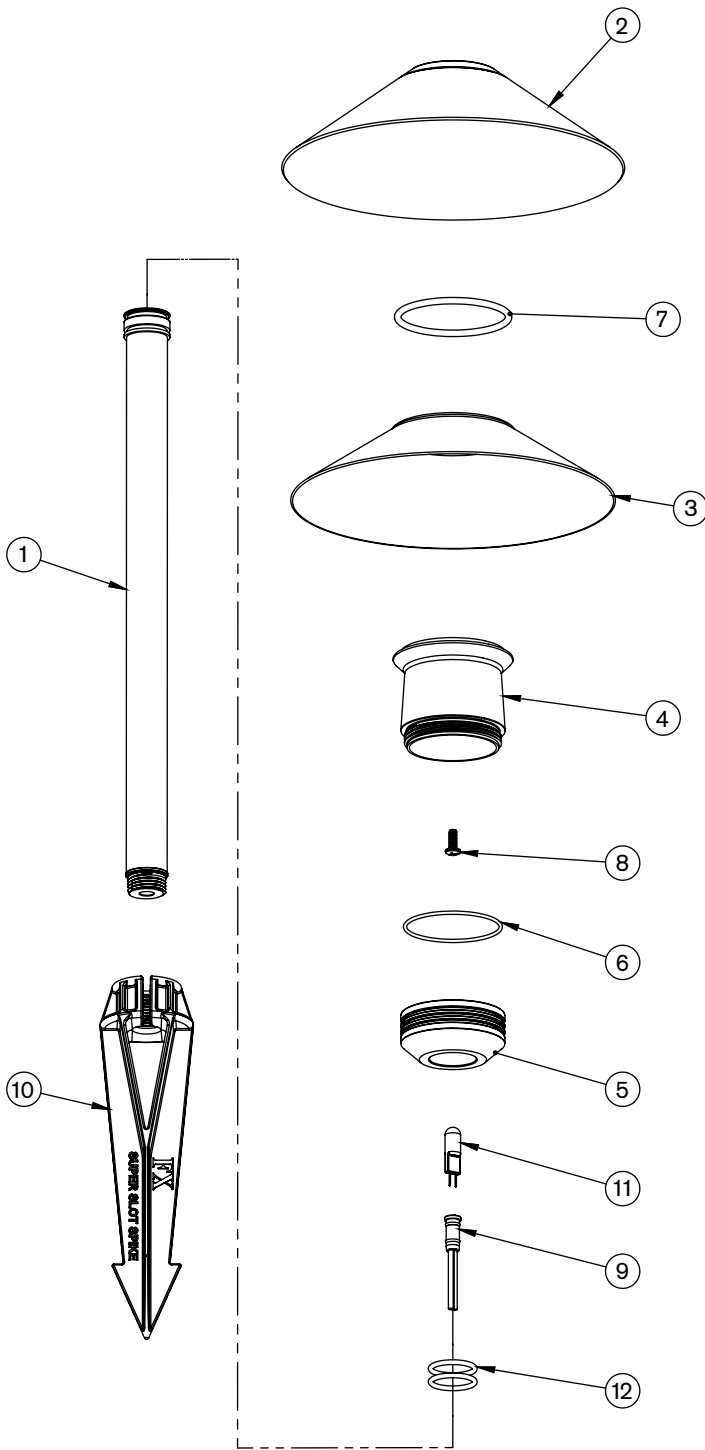
DP LIGHT		
ITEM	DESCRIPTION	CATALOG #
1	Riser Subassembly, DP	-
2	Top & Reflector	-
3	Lens	250012080000
4	Seal, Silicone	250012060000
5	Reducer, Brass	250012010000
6	O-Ring	250010280003
7	Socket	754600
8	Lamp (see chart)	
9	Super Slot Spike	753900

LAMP CHART	
DESCRIPTION	CATALOG #
Lamp, Bi-Pin Xenon 10w 10K Hrs	250010260001
Lamp, Bi-Pin Xenon 15w 10K Hrs	250010260002
Lamp, Bi-Pin Xenon 20w 5K Hrs	250010260003
Lamp, Mini Bi-Pin Halogen 10w 2K Hrs	250010250000
Lamp, Mini Bi-Pin Halogen 20w 2K Hrs	250010250001

* XX = powder coat color code

AL LIGHT		
ITEM	DESCRIPTION	CATALOG #
1	Socket	250012800000
2	Lamp	250010510000
3	Reflector	250012740000
4	O-Ring	250010280019
5	Large Slot Spike (LSS)	250015840000

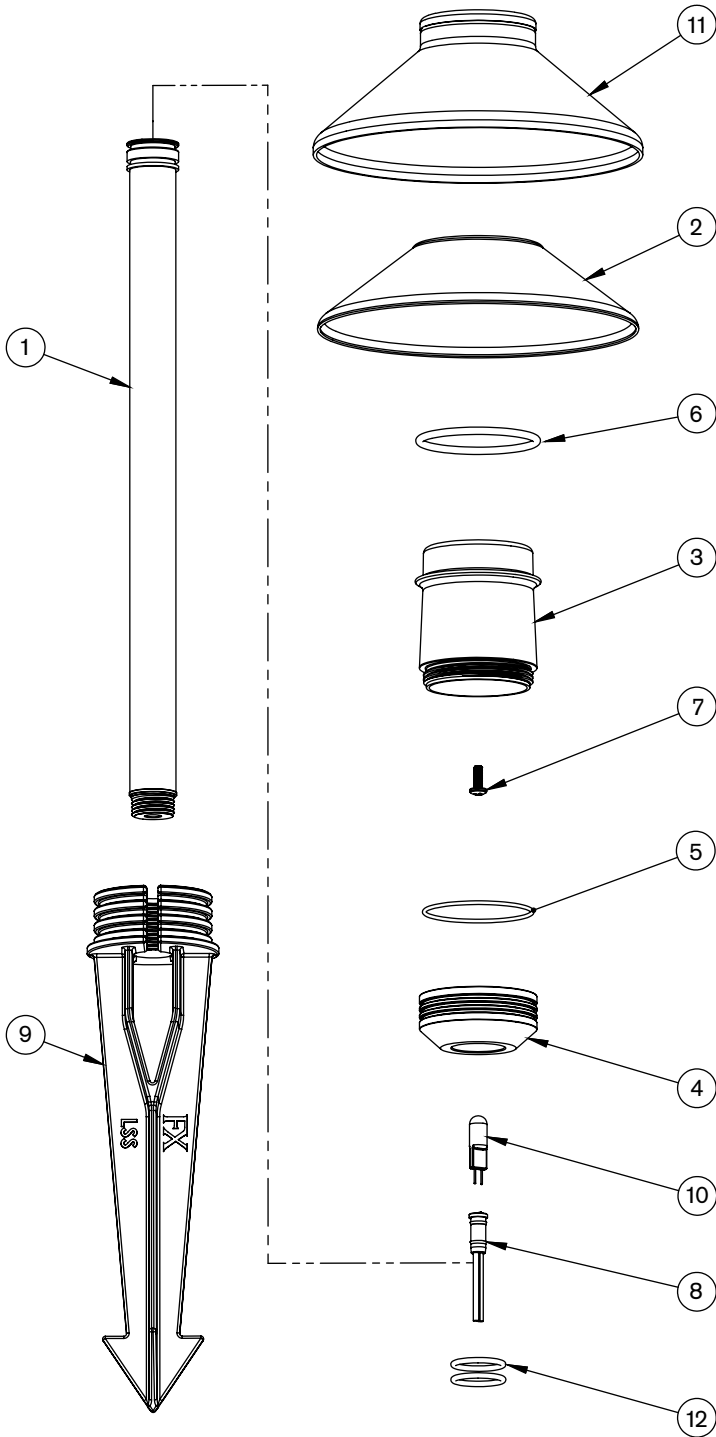




CB LIGHT		
ITEM	DESCRIPTION	CATALOG #
1	Riser Assembly	XXRA075XX
2	Top, O-Ring, Top Cap	-
3	Reflector	755100
4	Lens	753401
5	Reducer, Brass	250013300000
6	O-Ring	250010280009
7	O-Ring	250010280012
8	Screw, 8-32 x 7/16	750103
9	Socket	7546XX
10	Super Slot Spike	753900
11	Lamp (see chart)	
12	O-Ring	250010280004

LAMP CHART	
DESCRIPTION	CATALOG #
Lamp, Bi-Pin Xenon 10w 10K Hrs	250010260001
Lamp, Bi-Pin Xenon 15w 10K Hrs	250010260002
Lamp, Bi-Pin Xenon 20w 5K Hrs	250010260003
Lamp, Mini Bi-Pin Halogen 10w 2K Hrs	250010250000
Lamp, Mini Bi-Pin Halogen 20w 2K Hrs	250010250001

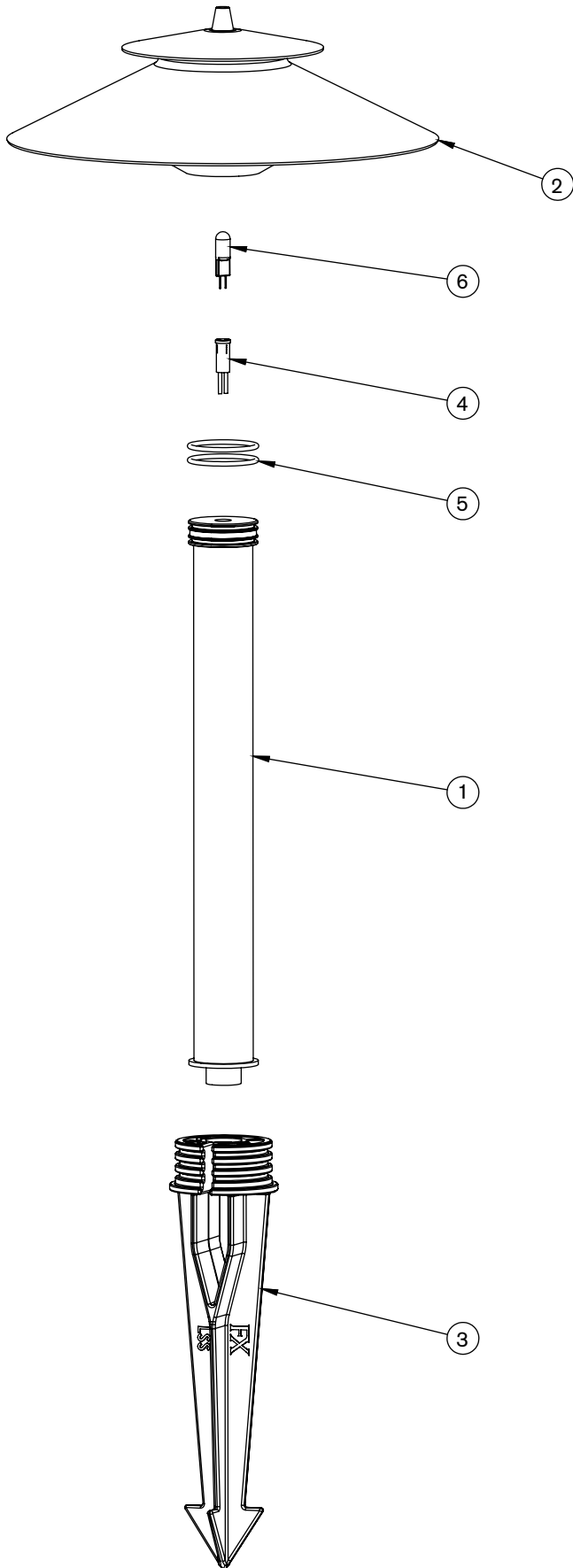
* XX = powder coat color code



DL LIGHT		
ITEM	DESCRIPTION	CATALOG #
1	Riser Assembly	XXRA075XX
2	Reflector	755100
3	Lens	753401
4	Reducer, Brass	250013300000
5	O-Ring	250010280009
6	O-Ring	250010280012
7	Screw, 8-32 x 7/16	750103
8	Socket	754600
9	Large Slot Spike	250015840000
10	Lamp (see chart)	
11	Top, Cap, O-Ring	-
12	O-Ring	250010280004

LAMP CHART	
DESCRIPTION	CATALOG #
Lamp, Bi-Pin Xenon 10w 10K Hrs	250010260001
Lamp, Bi-Pin Xenon 15w 10K Hrs	250010260002
Lamp, Bi-Pin Xenon 20w 5K Hrs	250010260003
Lamp, Mini Bi-Pin Halogen 10w 2K Hrs	250010250000
Lamp, Mini Bi-Pin Halogen 20w 2K Hrs	250010250001

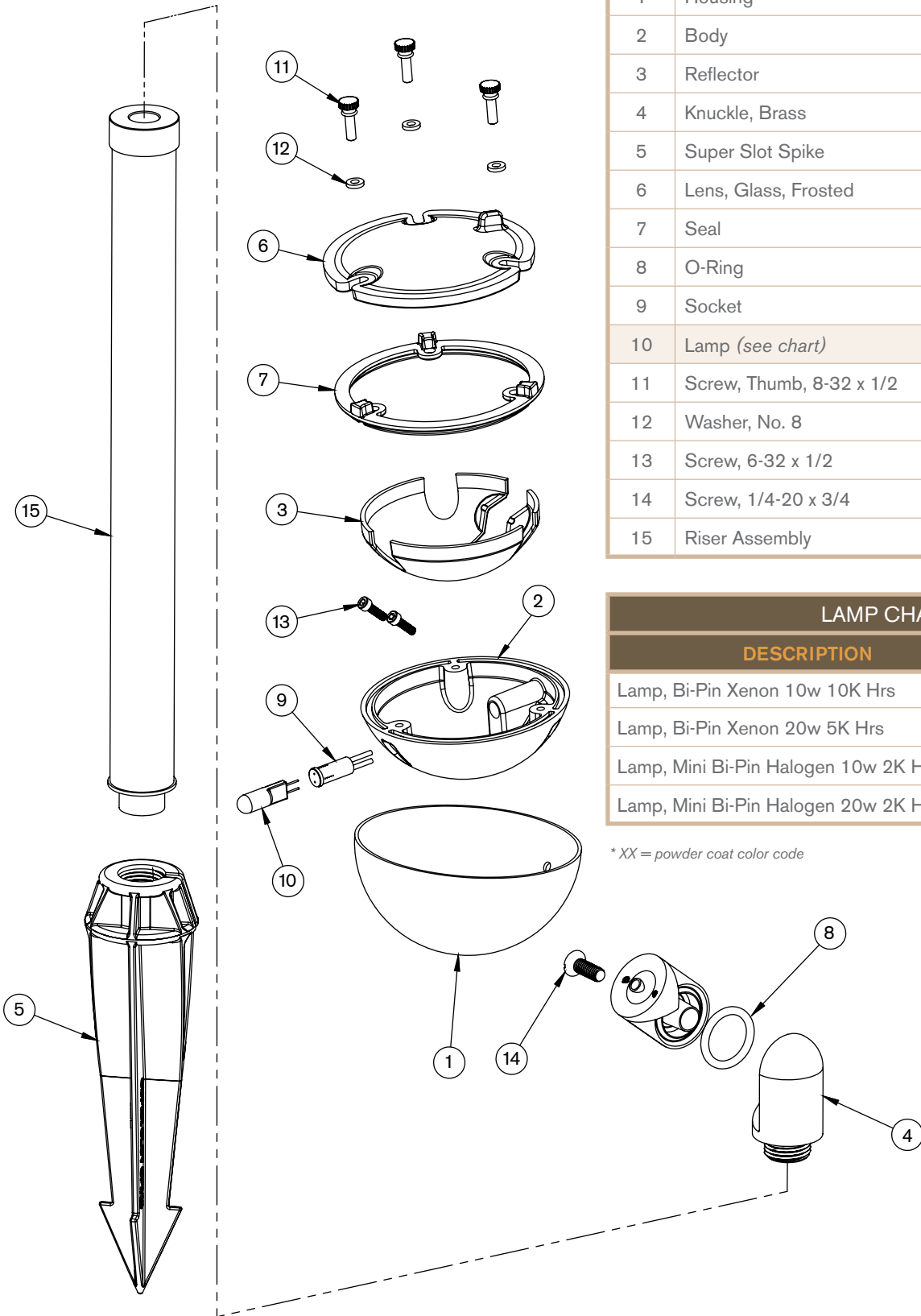
*XX = powder coat color code



GN LIGHT		
ITEM	DESCRIPTION	CATALOG #
1	Riser Assembly	-
2	Top Subassembly	GNTAXX
3	Large Slot Spike (LSS)	250015840000
4	Socket	250010730000
5	O-Ring	250010280014
6	Lamp (see chart)	

LAMP CHART	
DESCRIPTION	CATALOG #
Lamp, Bi-Pin Xenon 10w 10K Hrs	250010260001
Lamp, Bi-Pin Xenon 15w 10K Hrs	250010260002
Lamp, Bi-Pin Xenon 20w 5K Hrs	250010260003
Lamp, Mini Bi-Pin Halogen 10w 2K Hrs	250010250000
Lamp, Mini Bi-Pin Halogen 20w 2K Hrs	250010250001

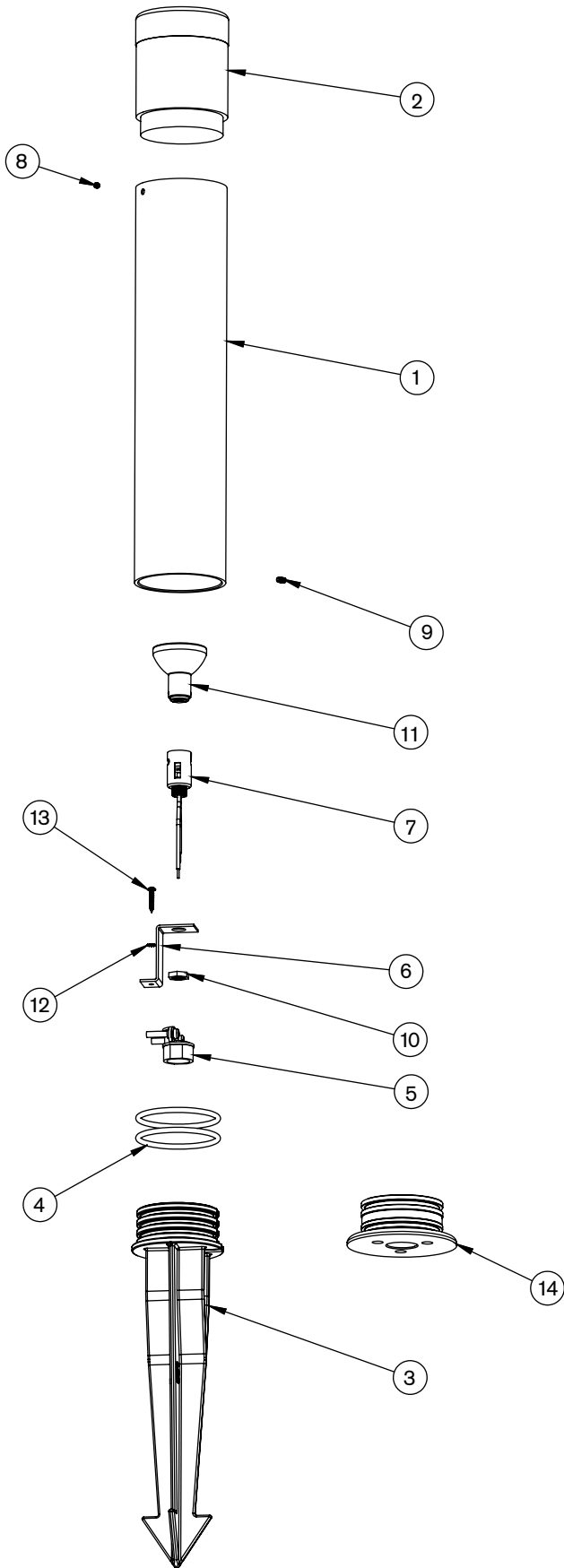
* XX = powder coat color code



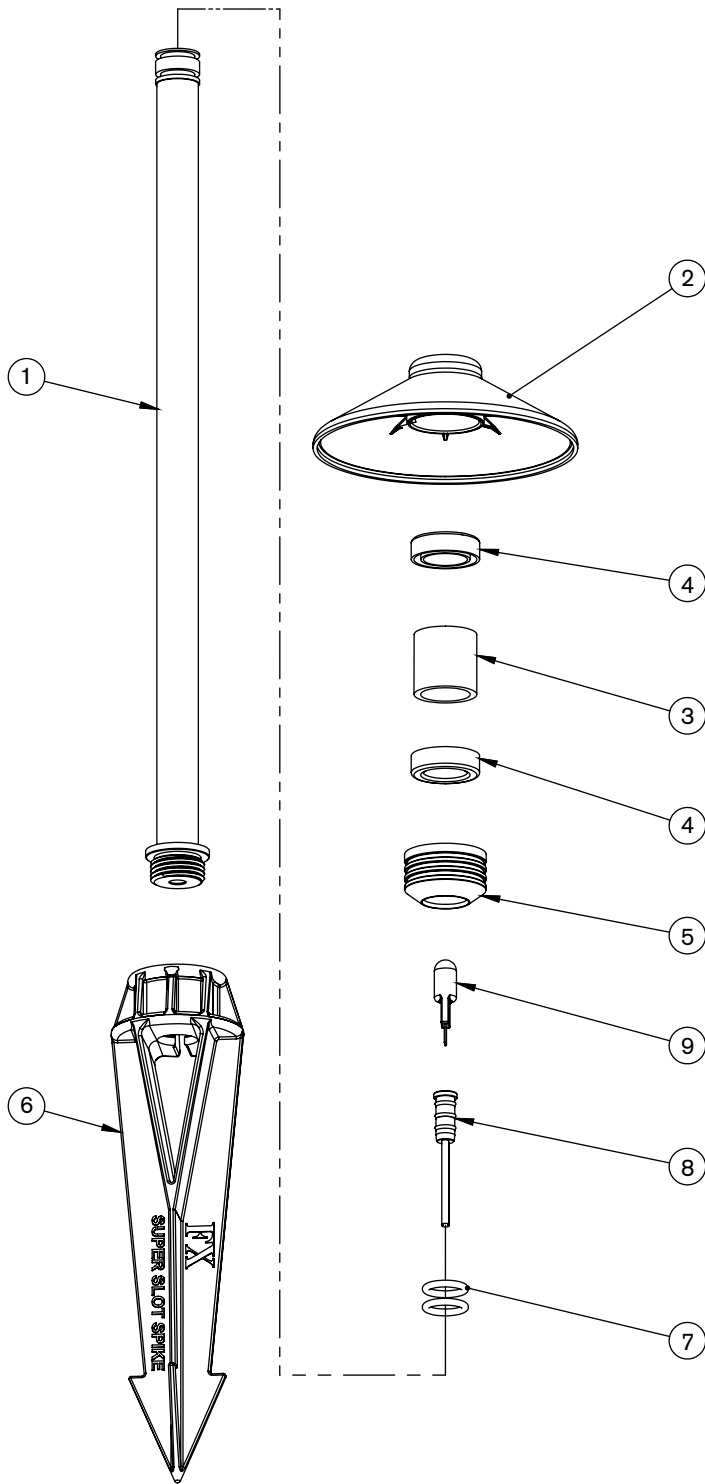
GT LIGHT		
ITEM	DESCRIPTION	CATALOG #
1	Housing	250010710000
2	Body	250010760000
3	Reflector	250010720000
4	Knuckle, Brass	250010610000
5	Super Slot Spike	753900
6	Lens, Glass, Frosted	250010780000
7	Seal	250010740000
8	O-Ring	250010280005
9	Socket	250010730000
10	Lamp (see chart)	
11	Screw, Thumb, 8-32 x 1/2	250010700000
12	Washer, No. 8	250010750000
13	Screw, 6-32 x 1/2	92196A148
14	Screw, 1/4-20 x 3/4	250010630000
15	Riser Assembly	XXRGTXX

LAMP CHART	
DESCRIPTION	CATALOG #
Lamp, Bi-Pin Xenon 10w 10K Hrs	250010260001
Lamp, Bi-Pin Xenon 20w 5K Hrs	250010260003
Lamp, Mini Bi-Pin Halogen 10w 2K Hrs	250010250000
Lamp, Mini Bi-Pin Halogen 20w 2K Hrs	250010250001

*XX = powder coat color code



PM LIGHT		
ITEM	DESCRIPTION	CATALOG #
1	Body	-
2	Cap and Lens	-
3	Large Slot Spike (LSS)	250015840000
4	O-Ring	250010280006
5	Clamp, Wire, 3/8	250013010000
6	Bracket	250012960000
7	Lampholder, Dual Contact Bayonet	250012890000
8	Screw, 6-32 x 1/8	250012930000
9	Screw, 6-32 x 1/4	250012940000
10	Nut, Brass	250012970000
11	Lamp, AR-11 20 Watt	250010240001
12	Washer	95584A200
13	Screw, No. 4 x 5/8 LG	250012990000
14	Base	-

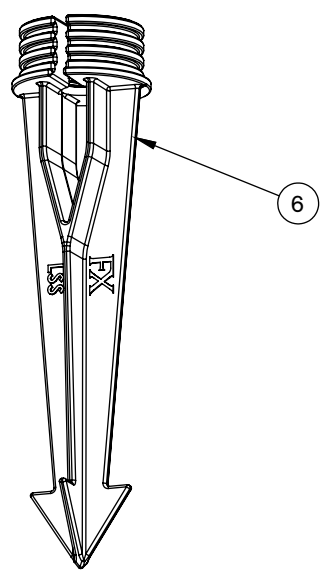
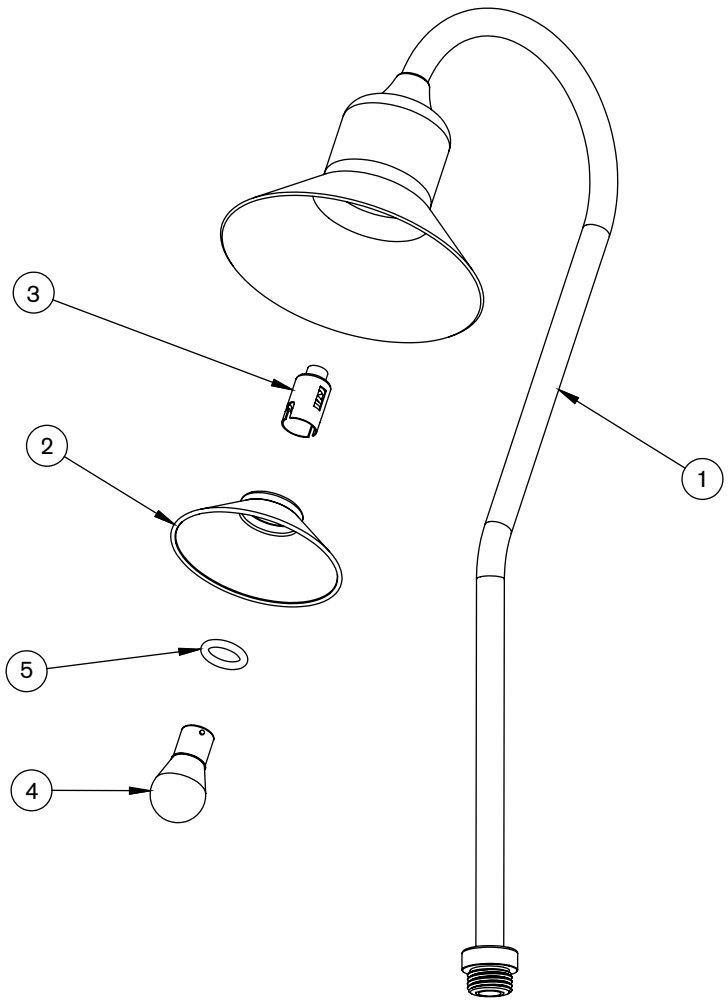


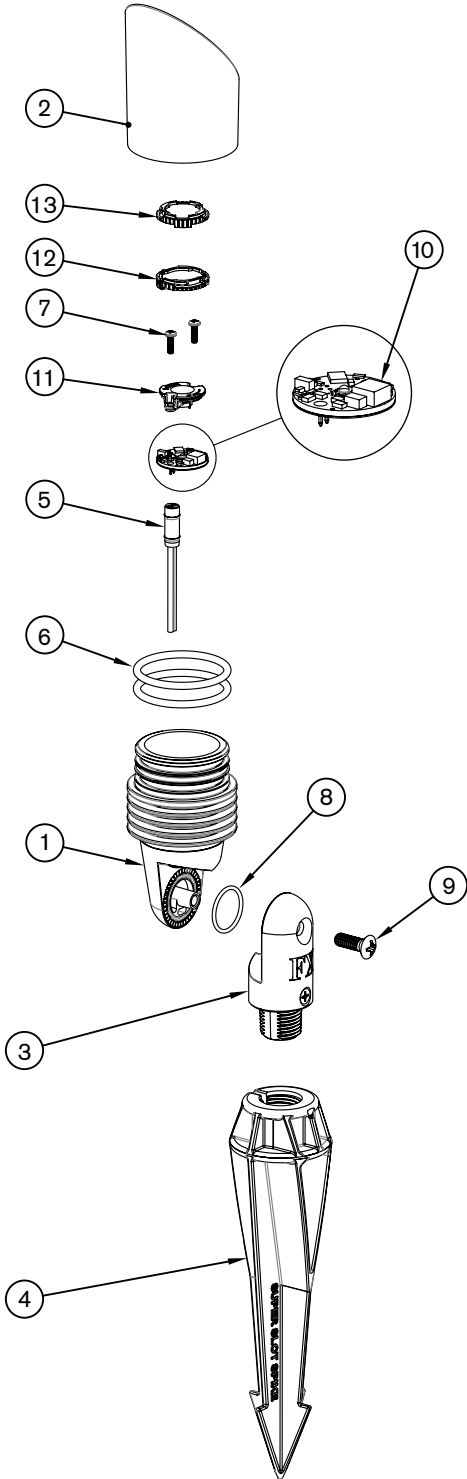
PV LIGHT		
ITEM	DESCRIPTION	CATALOG #
1	Riser Subassembly	-
2	Top Assembly	PVTAXX
3	Lens	250012080000
4	Seal, Silicone	250012060000
5	Reducer, Brass	250012010000
6	Super Slot Spike	753900
7	O-Ring	250010280003
8	Socket	754600
9	Lamp (see chart)	

LAMP CHART	
DESCRIPTION	CATALOG #
Lamp, Bi-Pin Xenon 10w 10K Hrs	250010260001
Lamp, Bi-Pin Xenon 15w 10K Hrs	250010260002
Lamp, Bi-Pin Xenon 20w 5K Hrs	250010260003
Lamp, Mini Bi-Pin Halogen 10w 2K Hrs	250010250000
Lamp, Mini Bi-Pin Halogen 20w 2K Hrs	250010250001

*XX = powder coat color code

TD LIGHT		
ITEM	DESCRIPTION	CATALOG #
1	Riser Assembly	-
2	Reflector	250013270000
3	Socket	250012800000
4	Lamp	250010510000
5	O-Ring	250010280019
6	Large Slot Spike (LSS)	250015840000

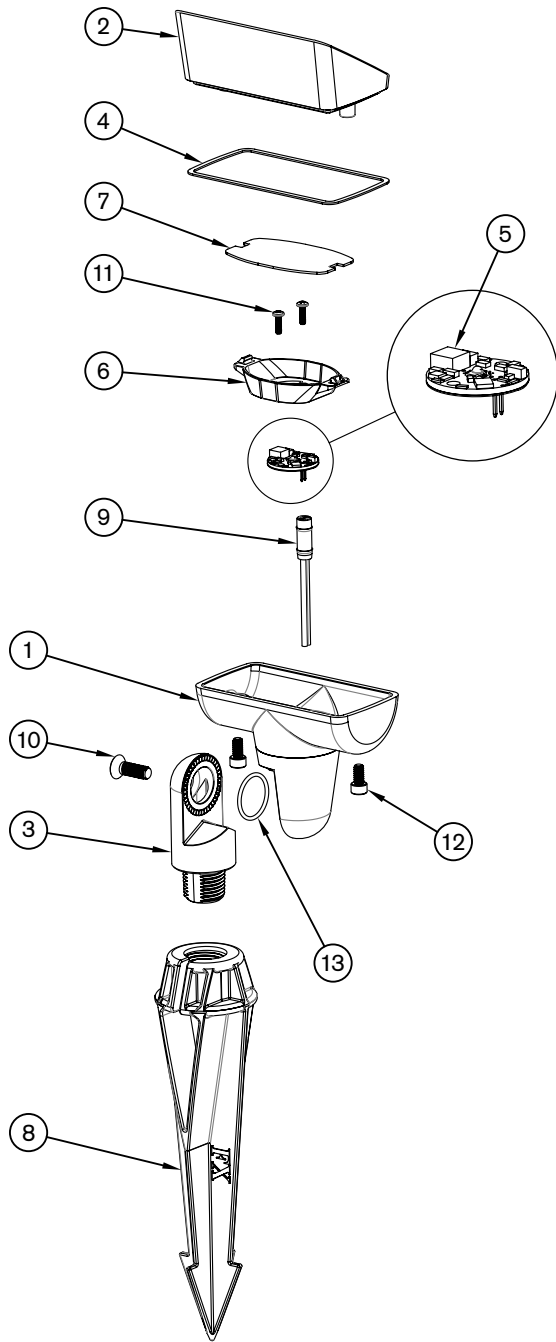




FB LIGHT		
ITEM	DESCRIPTION	CATALOG #
1	Body	-
2	Shroud & Lens	-
3	Knuckle Assembly	-
4	Super Slot Spike	753900
5	Socket	752600
6	O-Ring	250010280017
7	Screw	762400
8	O-Ring	250010280002
9	Screw	250010290000
10	LED Board (see chart)	
11	Reflector (see chart)	
12	Filter, Color (see chart)	
13	Diffuser (see chart)	

LED CHART		
QTY	DESCRIPTION	CATALOG #
1	1x Color Filter, Amber	751600
1	1x Color Filter, Blue	751601
1	1x Color Filter, Green	751602
1	1LED Board	751900
1	1LED Reflector	770000
1	3x Color Filter, Amber	751700
1	3x Color Filter, Blue	751701
1	3x Color Filter, Green	751702
1	3LED Board	752000
1	3LED Reflector	770700

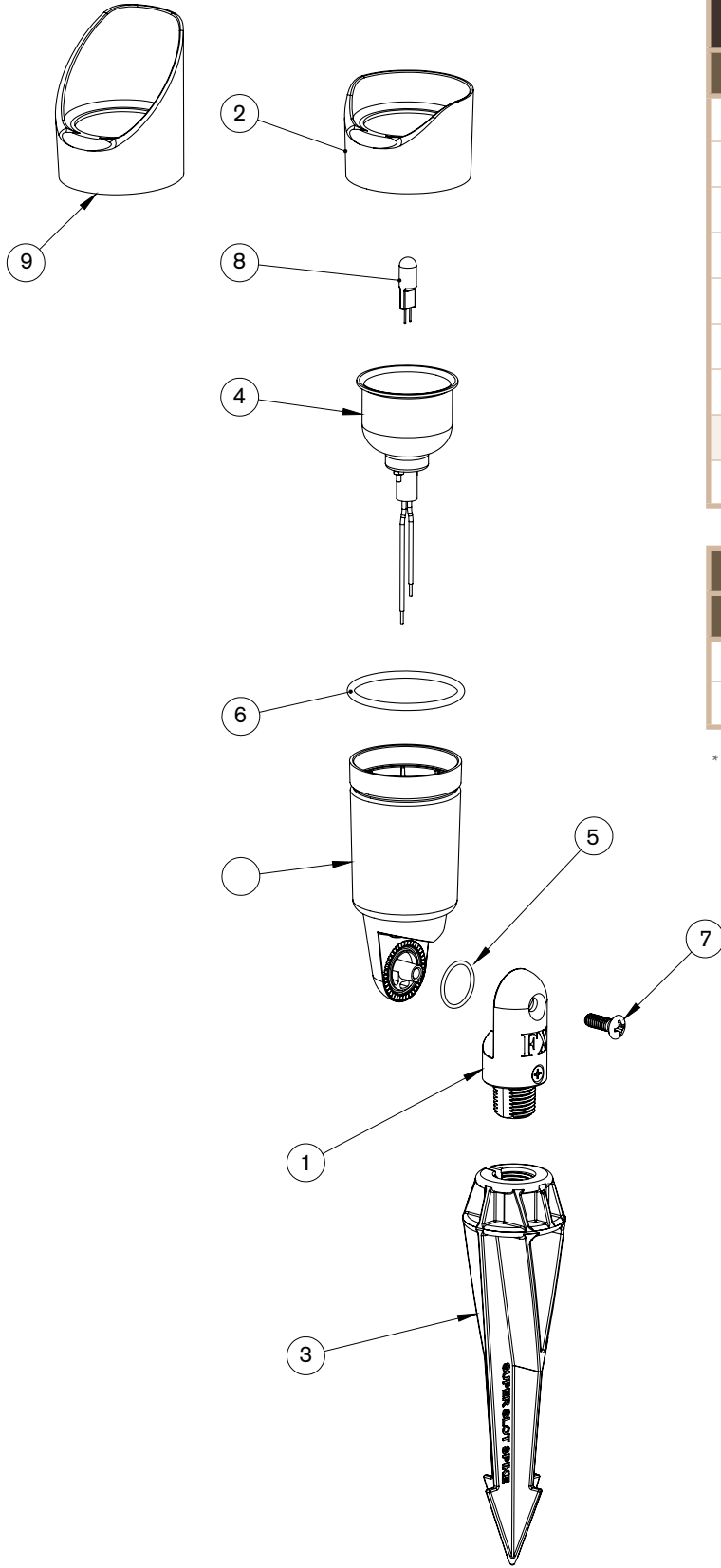
*XX = powder coat color code



PB LIGHT		
ITEM	DESCRIPTION	CATALOG #
1	Housing	-
2	Shield & Lens	-
3	Knuckle	-
4	Seal	762500
5	LED Board (see chart)	
6	Reflector (see chart)	
7	Filter (see chart)	
8	Super Slot Spike	753900
9	Socket	752600
10	Screw	762400
11	Screw	250013940000
12	Screw	250010290000
13	O-Ring	250010280002

LED CHART		
QTY	DESCRIPTION	CATALOG #
1	1x Color Filter, Amber	751600
1	1x Color Filter, Blue	751601
1	1x Color Filter, Green	751602
1	1LED Board	751900
1	1LED Reflector	763000
1	3x Color Filter, Amber	751700
1	3x Color Filter, Blue	751701
1	3x Color Filter, Green	751702
1	3LED Board	752000
1	3LED Reflector	763100

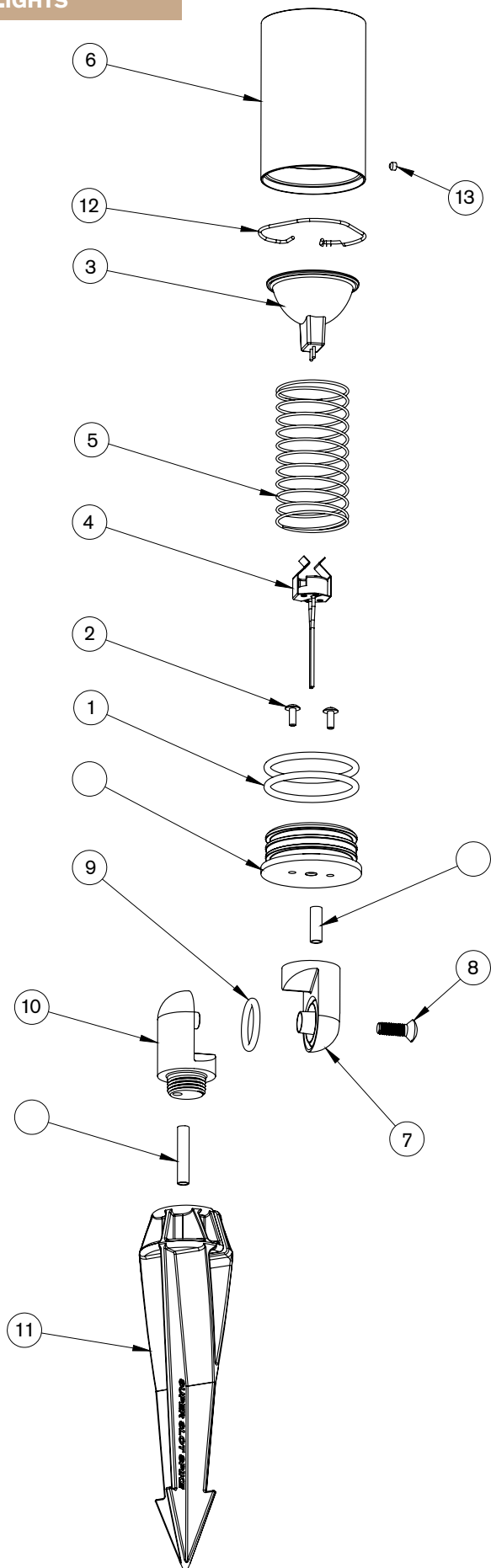
* XX = powder coat color code



CM LIGHT		
ITEM	DESCRIPTION	CATALOG #
1	Knuckle Fitting Subassembly	-
2	Lens Cap	RSLCXX
3	Super Slot Spike	753900
4	Socket Assembly	25001600000
5	O-Ring	250010280002
6	O-Ring	250010280017
7	Screw	250010290000
8	Lamp, 12V (see chart)	
9	Lens Cap - Long Shield	RSLCLSXX

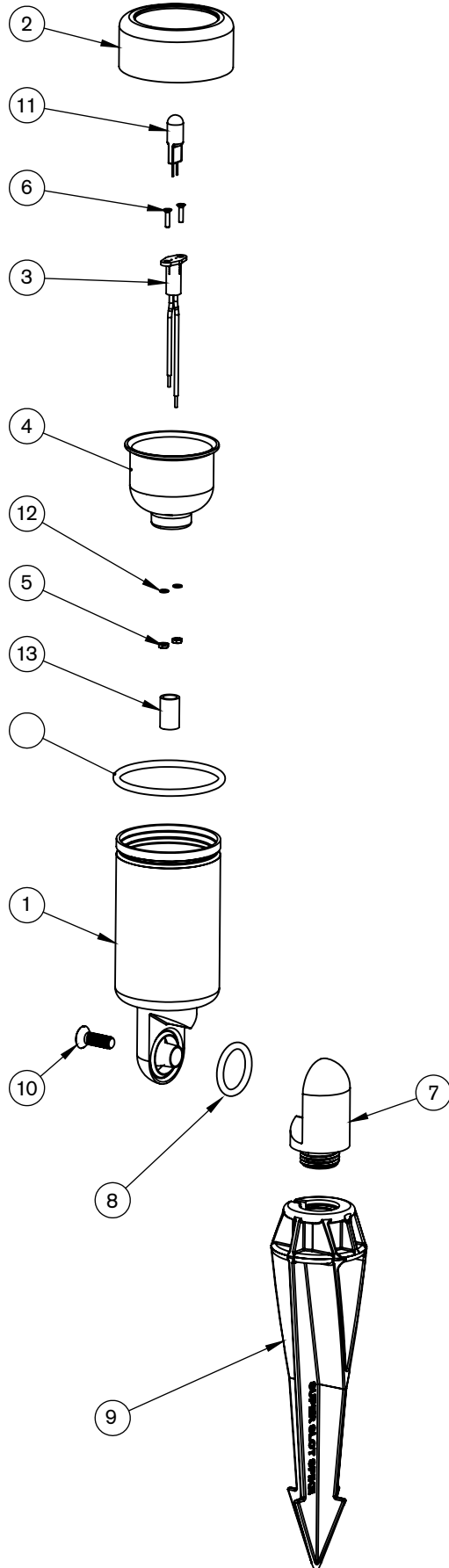
LAMP CHART	
DESCRIPTION	CATALOG #
Lamp, Bi-Pin Xenon 10w 10K Hrs	250010260001
Lamp, Bi-Pin Xenon 20w 5K Hrs	250010260003

* XX = powder coat color code



LO LIGHT		
ITEM	DESCRIPTION	CATALOG #
1	O-Ring	250010280017
2	Screw, 6-32 x 1/4	250010210000
3	Lamp, Halogen, MR-16, 12V (see pg. 15)	
4	Socket	250010170000
5	Spring	250010360000
6	Lens Cap	LOLCXX
7	Fitting, Knuckle, Brass	250010650000
8	Screw, OVHD, 1/4-20 x 3/4 LG, Mach. Sltd., Brass, 82 DEG	250010630000
9	O-Ring	250010280005
10	Fitting, Knuckle, Brass	250010610000
11	Super Slot Spike	753900
12	Spring	250010640000
13	Screw, 8-32 x 1/8	250010320000

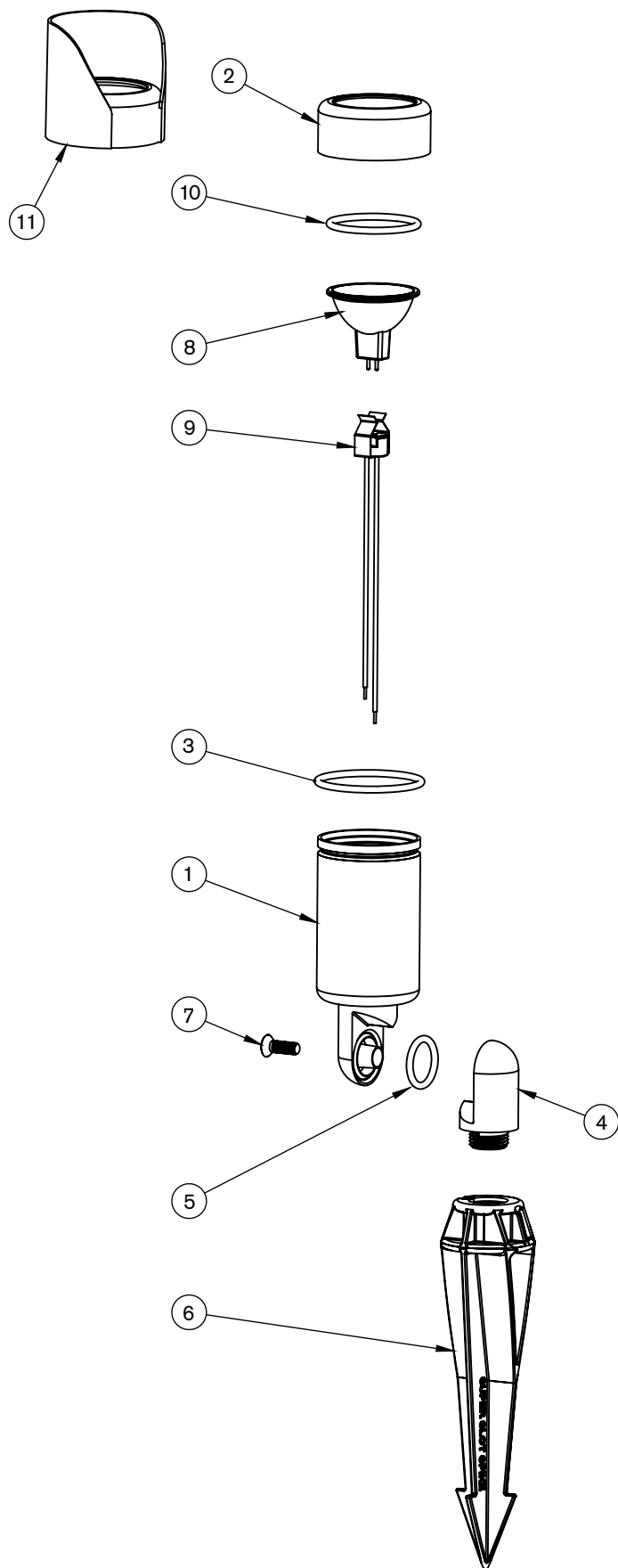
* XX = powder coat color code



CR LIGHT		
ITEM	DESCRIPTION	CATALOG #
1	Can Assembly	-
2	Lens Cap	-
3	Socket	250010580000
4	Reflector	250010570000
5	Nut, 2-56, Brass	250010550000
6	Screw, 2-56 x 3/8	250010540000
7	Knuckle, Brass	250010610000
8	O-Ring	250010280005
9	Super Slot Spike	753900
10	Screw, 1/4-20 x 3/4	250010630000
11	Lamp, 12V (see chart)	
12	Washer, Flat, No. 2	250010530000
13	Sleeve	250010560000

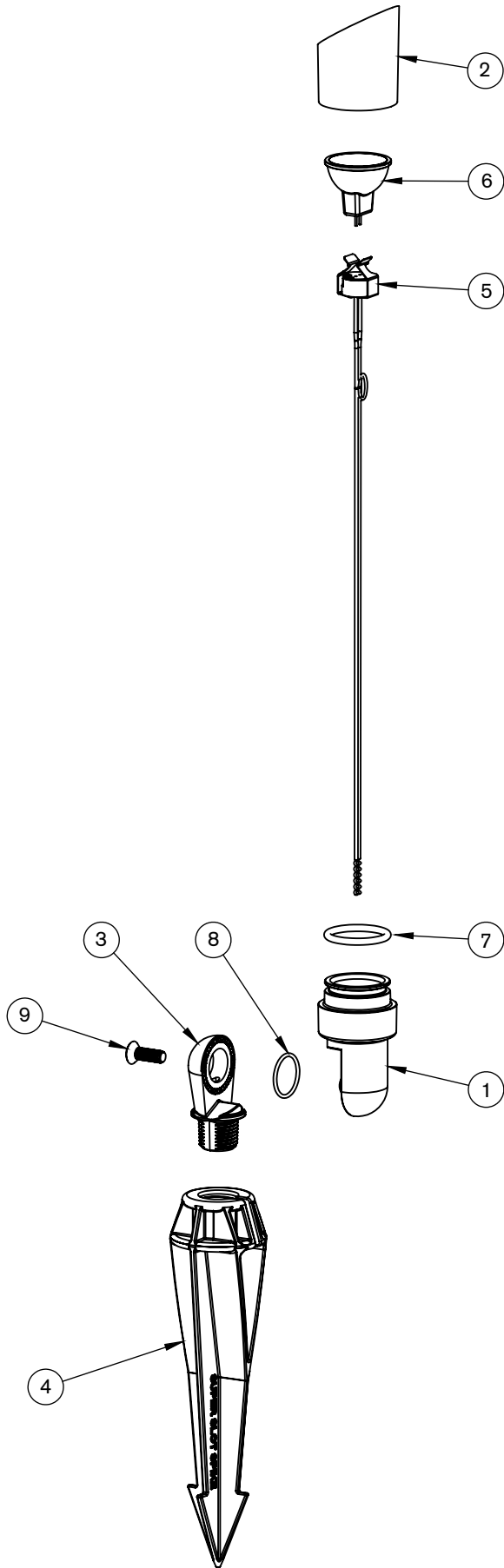
LAMP CHART	
DESCRIPTION	CATALOG #
Lamp, Bi-Pin Xenon 10w 10K Hrs	250010260001
Lamp, Bi-Pin Xenon 20w 5K Hrs	250010260003
Lamp, Mini Bi-Pin Halogen 10w 2K Hrs	250010250000
Lamp, Mini Bi-Pin Halogen 20w 2K Hrs	250010250001

* XX = powder coat color code



LR LIGHT		
ITEM	DESCRIPTION	CATALOG #
1	Can Assembly	-
2	Lens Cap, Copper	250010800000
3	O-Ring	250010280017
4	Knuckle, Brass	250010610000
5	O-Ring	250010280005
6	Super Slot Spike	753900
7	Screw, 1/4-20 x 3/4	250010630000
8	Lamp, Halogen, MR-16, 12V (see pg. 15)	
9	Socket	250010170000
10	O-Ring	250010280006
11	Lens Cap, Long	-

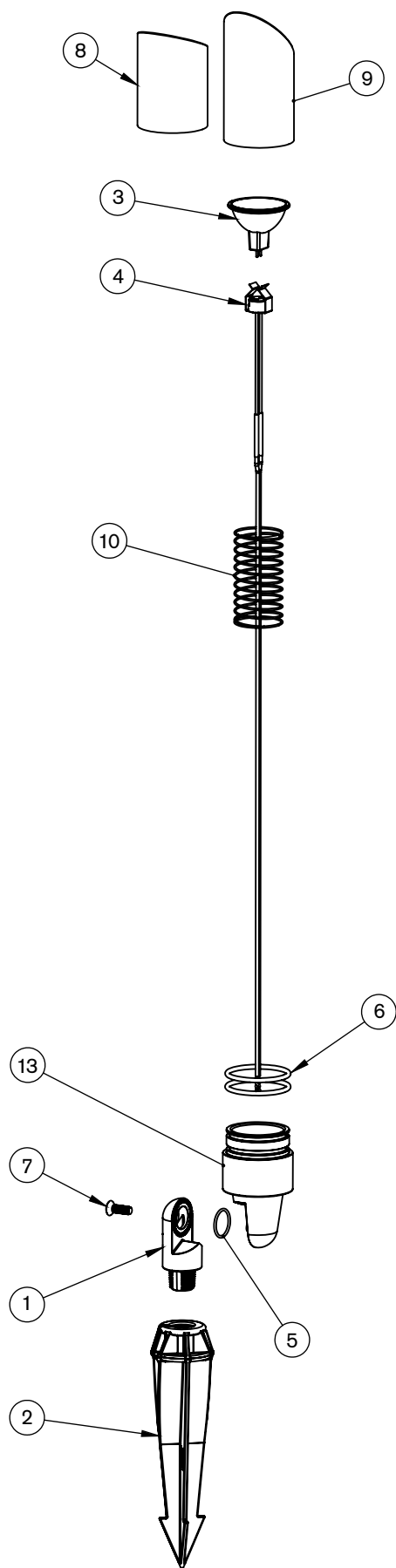
*XX = powder coat color code



MP LIGHT		
ITEM	DESCRIPTION	CATALOG #
1	Base	-
2	Lens Cap	MPLCXX
3	Knuckle	-
4	Super Slot Spike	753900
5	Socket Assembly, MR-11	250010440000
6	Lamp, MR-11 (see chart)	
7	O-Ring	250010280015
8	O-Ring	250020280002
9	Screw, 1/4-20 x 3/4 LG	250010290000

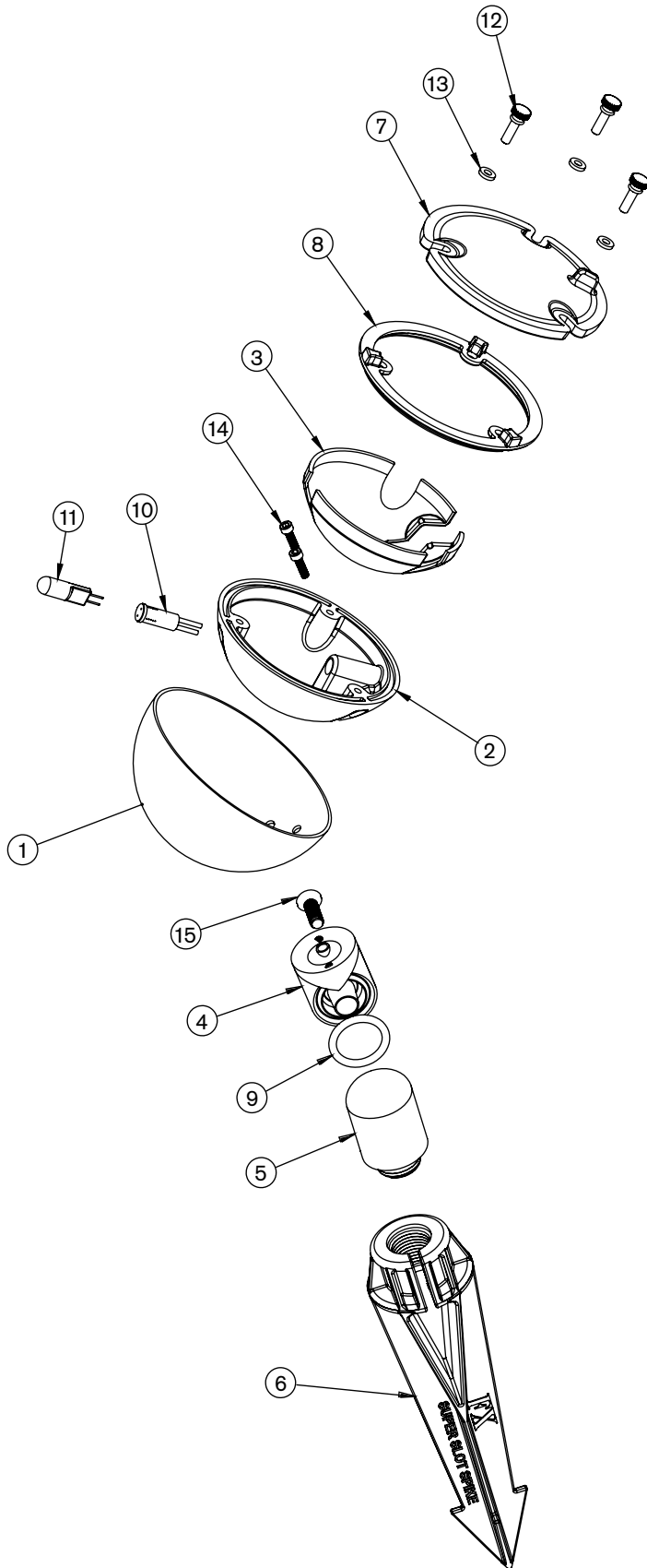
LAMP CHART	
DESCRIPTION	CATALOG #
Lamp, MR-11 12w 10deg 2K Hrs	250010220001
Lamp, MR-11 20w 10deg 2K Hrs	250010220002
Lamp, MR-11 20w 36deg 2K Hrs	250010220003
Lamp, MR-11 35w 12deg 2K Hrs	250010220004
Lamp, MR-11 35w 30deg 2K Hrs	250010220005

* XX = powder coat color code



MU LIGHT		
ITEM	DESCRIPTION	CATALOG #
1	Knuckle	-
2	Super Slot Spike	753900
3	Lamp, Halogen, MR-16, 12V (see pg. 15)	
4	Socket Assembly, MR-16, 18GA SPT-1	761600
5	O-Ring	250010280002
6	O-Ring	250010280017
7	Screw, 1/4-20 x 3/4 LG	250010290000
8	Shroud, Short	MULCXX
9	Shroud, Long	MULCLSXX
10	Spring	406400P
11	Screw, 10-24 x 1/2	750105
12	Knuckle	-
13	Base	-

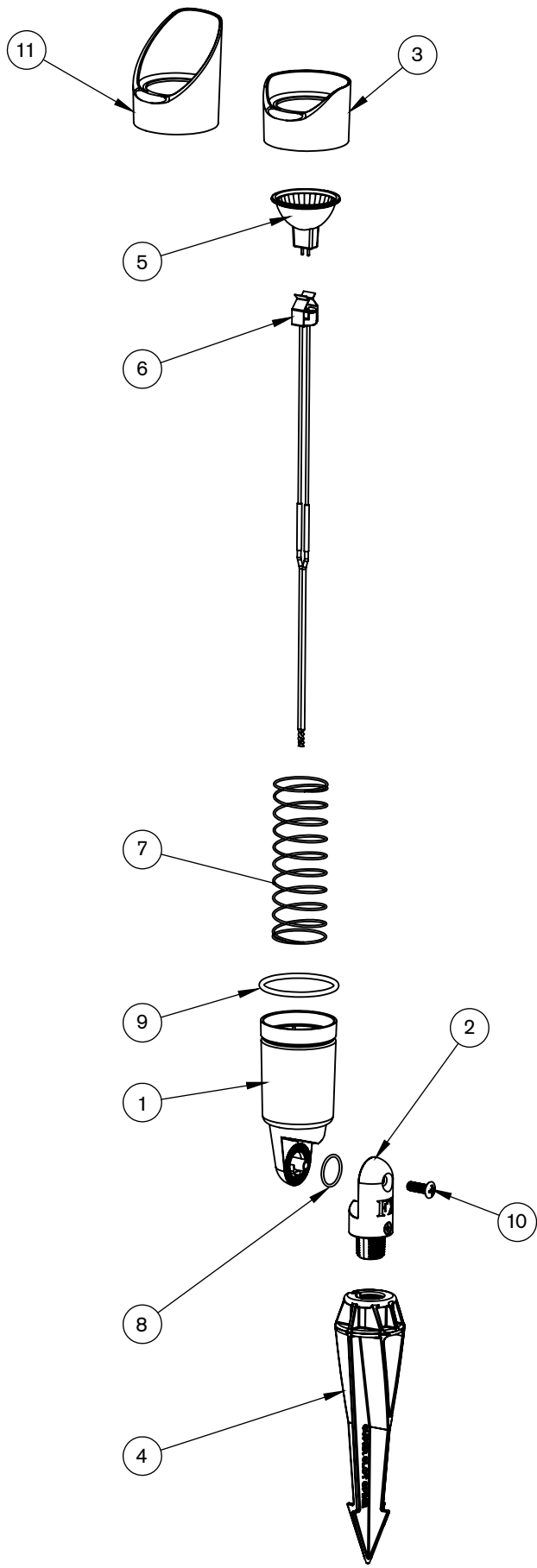
*XX = powder coat color code



RL LIGHT		
ITEM	DESCRIPTION	CATALOG #
1	Housing	-
2	Body	250010760000
3	Reflector	250010720000
4	Knuckle, Brass, Top	-
5	Knuckle, Brass	250010610000
6	Super Slot Spike	753900
7	Lens, Frosted	250010780000
8	Seal, Silicone	250010740000
9	O-Ring	250010280005
10	Socket	250010730000
11	Lamp, Xenon, 12V (see chart)	
12	Screw, 8-32 x 1/2, Brass	250010700000
13	Washer, Flat, No. 8	250010750000
14	Screw, 6-32 x 1/2	92196A148
15	Screw, 1/4-20 x 3/4	250010630000
16	Tubing	971585
17		

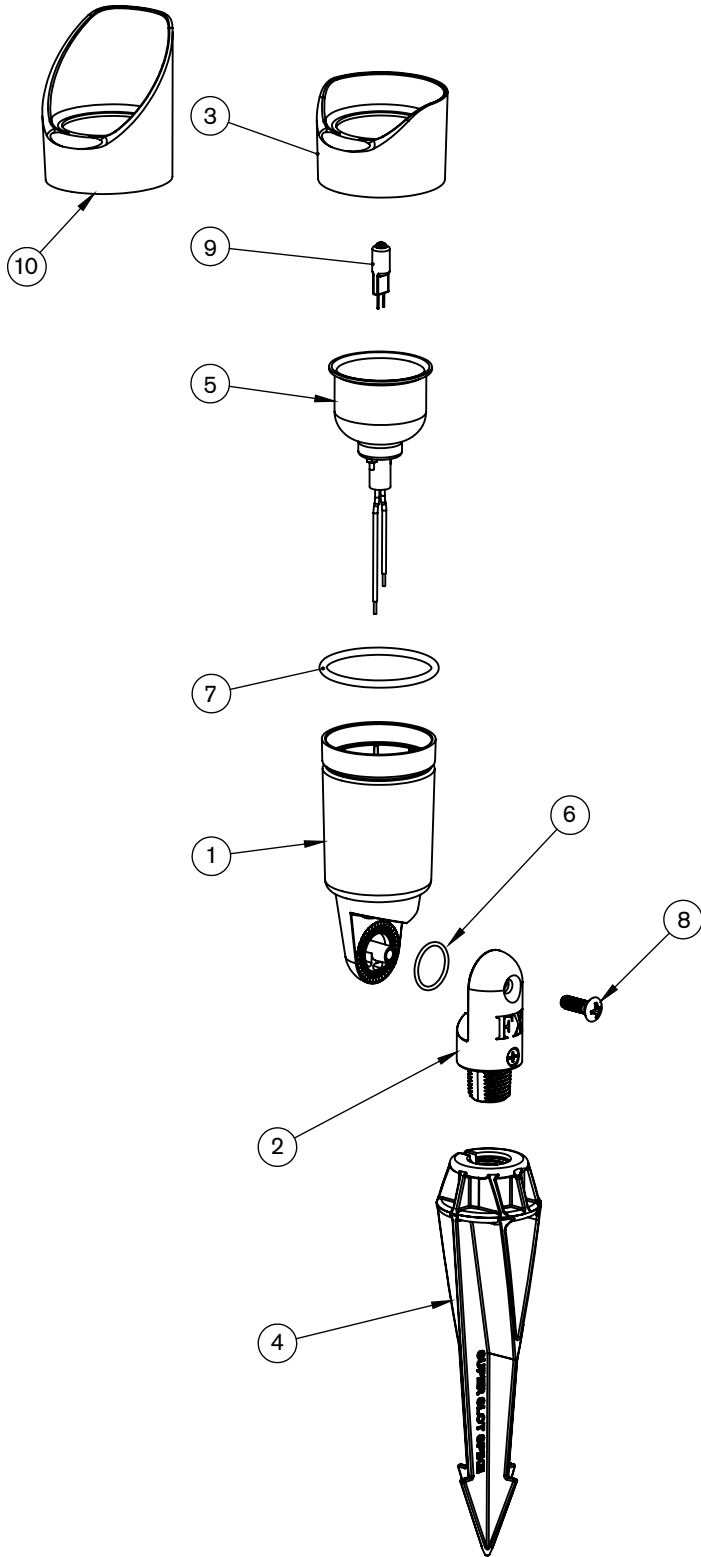
LAMP CHART	
DESCRIPTION	CATALOG #
Lamp, Bi-Pin Xenon 10w 10K Hrs	250010260001
Lamp, Bi-Pin Xenon 20w 5K Hrs	250010260003
Lamp, Mini Bi-Pin Halogen 10w 2K Hrs	250010250000
Lamp, Mini Bi-Pin Halogen 20w 2K Hrs	250010250001

*XX = powder coat color code



RS LIGHT		
ITEM	DESCRIPTION	CATALOG #
1	Base Assembly	-
2	Knuckle	-
3	Short Shroud	RSLCXX
4	Super Slot Spike	753900
5	Lamp, Halogen, MR-16, 12V (see pg. 15)	
6	Socket Assembly, MR-16, 18GA SPT-1	761600
7	Spring	756100
8	O-Ring	250010280002
9	O-Ring	250010280017
10	Screw, 1/4-20 x 3/4	250010290000
11	Long Shroud	RSLCLSXX

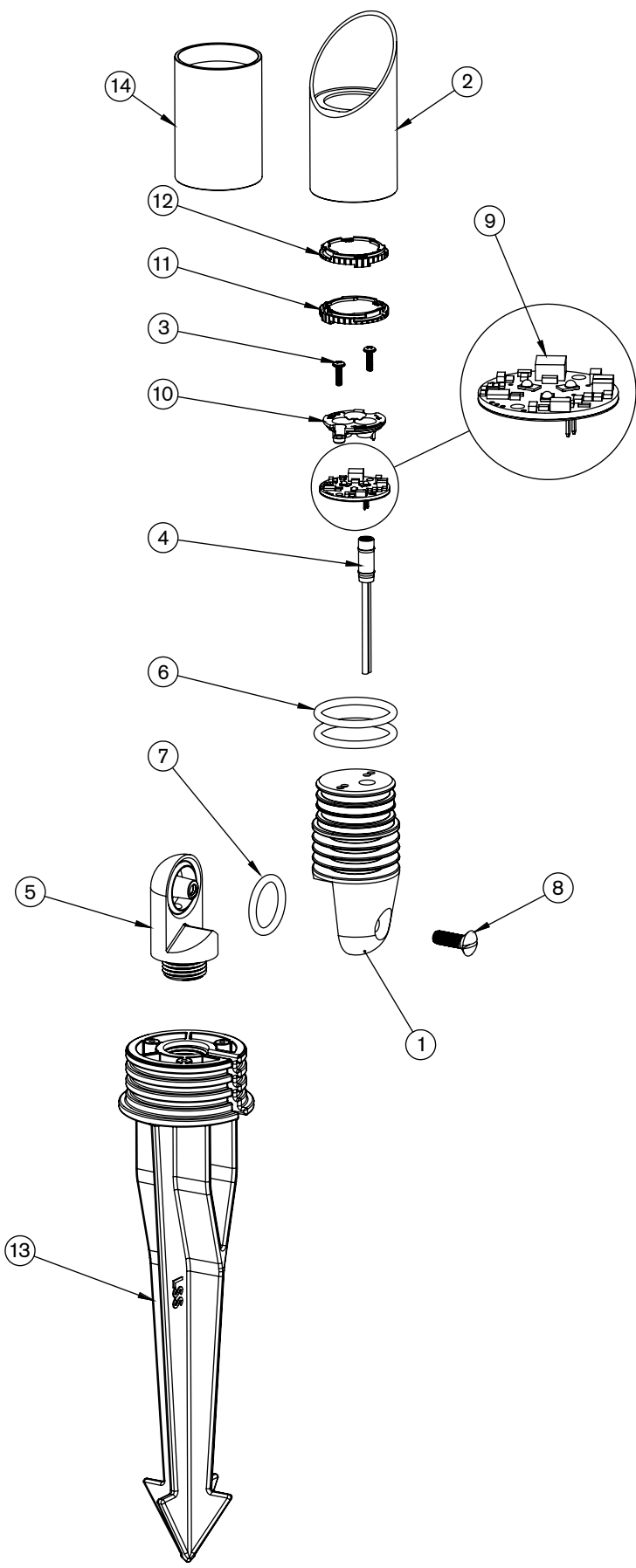
*XX = powder coat color code



SI LIGHT		
ITEM	DESCRIPTION	CATALOG #
1	Can Assembly	-
2	Knuckle	-
3	Lens Cap	RSLCXX
4	Super Slot Spike	753900
5	Socket Assembly	-
6	O-Ring	250010280002
7	O-Ring	250010280017
8	Screw, 1/4-20 x 3/4	250010290000
9	Lamp, Halogen, 12V (see chart)	
10	Lens Cap Long	RSLCLSXX

LAMP CHART	
DESCRIPTION	CATALOG #
Lamp, Bi-Pin Xenon 10w 10K Hrs	250010260001
Lamp, Bi-Pin Xenon 20w 5K Hrs	250010260003
Lamp, Mini Bi-Pin Halogen 10w 2K Hrs	250010250000
Lamp, Mini Bi-Pin Halogen 20w 2K Hrs	250010250001

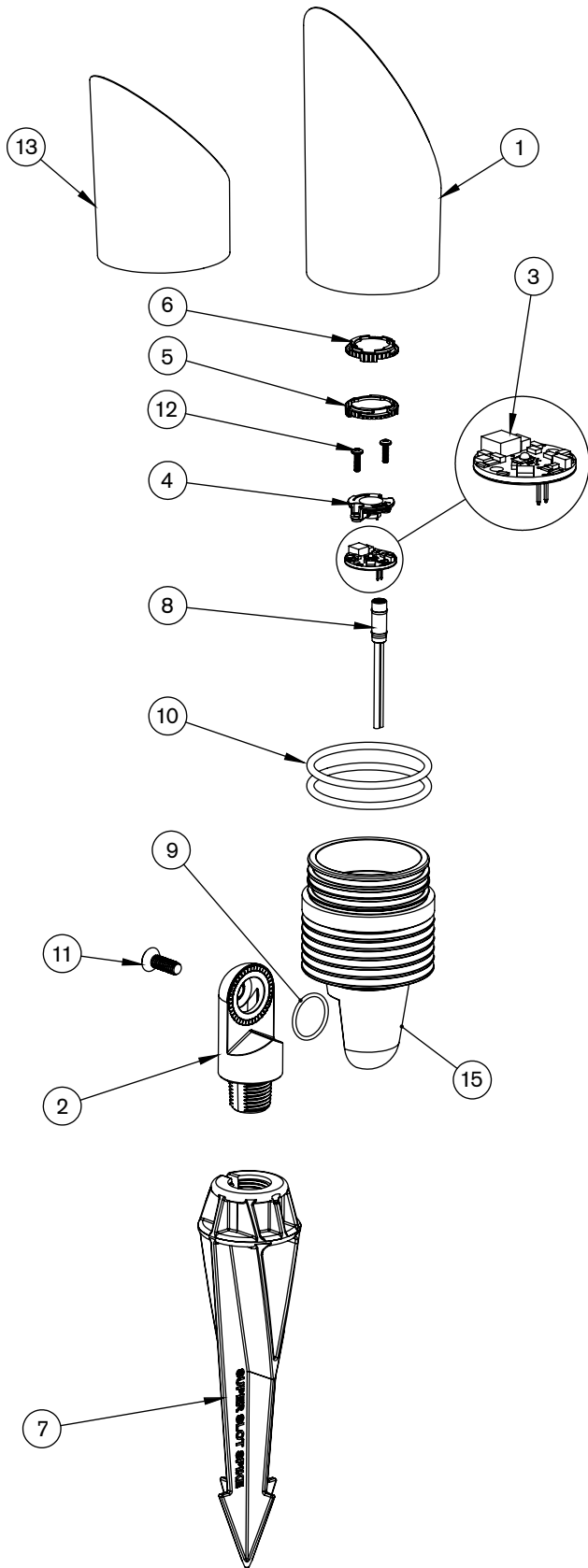
*XX = powder coat color code



CC LIGHT		
ITEM	DESCRIPTION	CATALOG #
1	Base	-
2	Long Shroud	-
3	Screw, 4-40 x 3/8	762400
4	Socket	752600
5	Knuckle	-
6	O-Ring	250010280016
7	O-Ring	250010280005
8	Screw, 1/4-20 x 3/4	250010630000
9	LED Board (see chart)	
10	Reflector (see chart)	
11	Color Filter (see chart)	
12	Diffuser (see chart)	
13	Large Slot Spike (LSS)	250015840000
14	Short Shroud	-

LED CHART		
QTY	DESCRIPTION	CATALOG #
1	1x Color Filter, Amber	751600
1	1x Color Filter, Blue	751601
1	1x Color Filter, Green	751602
1	1LED Board	751900
1	1LED Reflector	770000
1	3x Color Filter, Amber	751700
1	3x Color Filter, Blue	751701
1	3x Color Filter, Green	751702
1	3LED Board	752000
1	3LED Reflector	770700

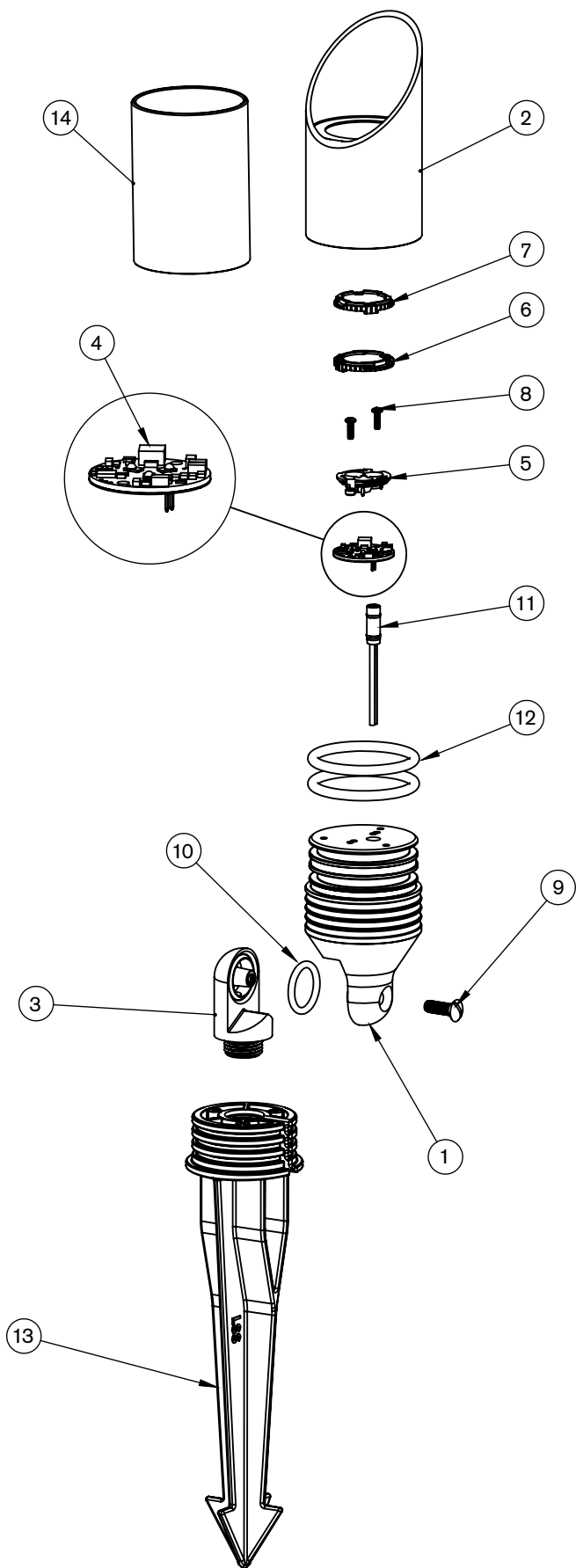
*XX = powder coat color code



NP LIGHT		
ITEM	DESCRIPTION	CATALOG #
1	Long Shroud	-
2	Knuckle	-
3	LED Board (see chart)	
4	Reflector (see chart)	
5	Color Filter (see chart)	
6	Diffuser (see chart)	
7	Super Slot Spike	753900
8	Socket	752600
9	O-Ring	250010280002
10	O-Ring	250010280025
11	Screw, 1/4-20 x 3/4	250010290000
12	Screw, 4-40 x 3/8	762400
13	Short Shroud	-
14	Screw, 10-24 x 1/2	750105
15	Base	-

LED CHART		
QTY	DESCRIPTION	CATALOG #
1	1x Color Filter, Amber	751600
1	1x Color Filter, Blue	751601
1	1x Color Filter, Green	751602
1	1LED Board	751900
1	1LED Reflector	770000
1	3x Color Filter, Amber	751700
1	3x Color Filter, Blue	751701
1	3x Color Filter, Green	751702
1	3LED Board	752000
1	3LED Reflector	770700

* XX = powder coat color code



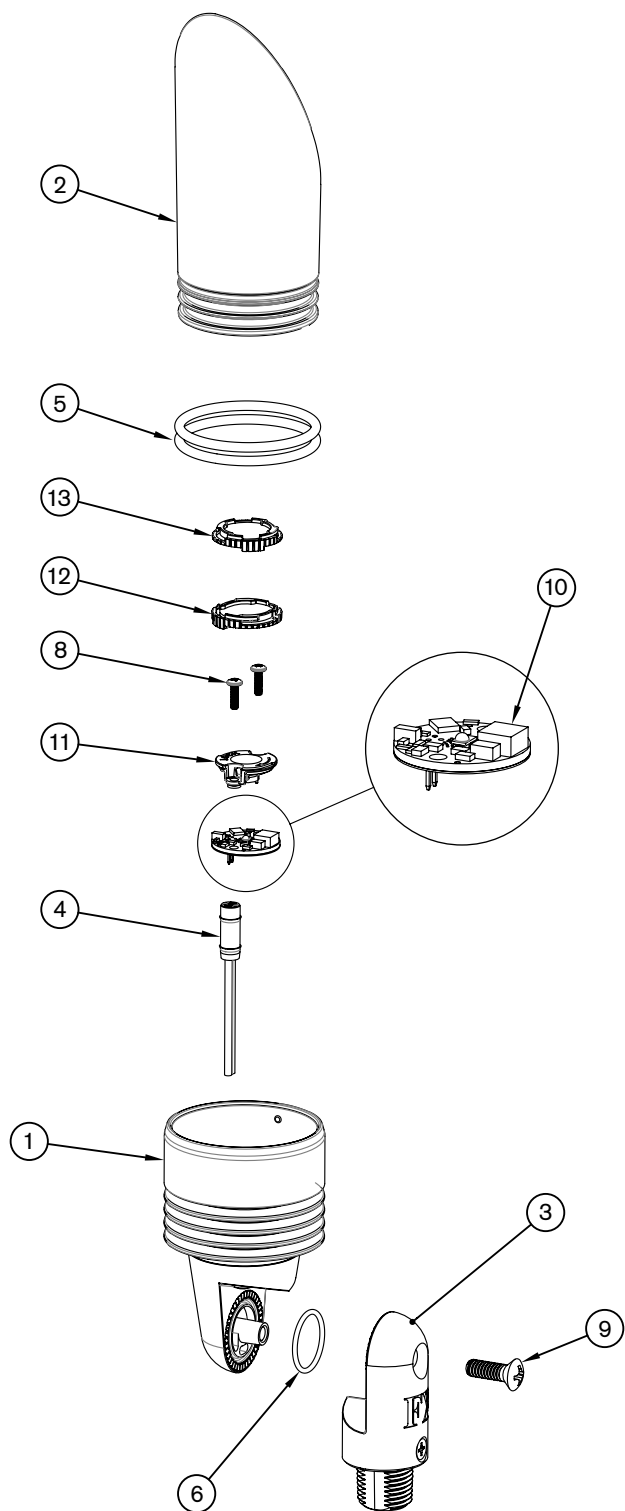
VS LIGHT		
ITEM	DESCRIPTION	CATALOG #
1	Base	-
2	Long Shroud	-
3	Knuckle	-
4	LED Board (see chart)	
5	Reflector (see chart)	
6	Color Filter (see chart)	
7	Diffuser (see chart)	
8	Screw, 4-40 x 3/8	762400
9	Screw, 1/4-20 x 3/4	250010630000
10	O-Ring	250010280005
11	Socket	752600
12	O-Ring	250010280020
13	Large Slot Spike (LSS)	250015840000
14	Shroud	-

LED CHART		
QTY	DESCRIPTION	CATALOG #
1	1x Color Filter, Amber	751600
1	1x Color Filter, Blue	751601
1	1x Color Filter, Green	751602
1	1LED Board	751900
1	1LED Reflector	770000
1	3x Color Filter, Amber	751700
1	3x Color Filter, Blue	751701
1	3x Color Filter, Green	751702
1	3LED Board	752000
1	3LED Reflector	770700

* XX = powder coat color code

LO, LR, MU, & RS LIGHTS

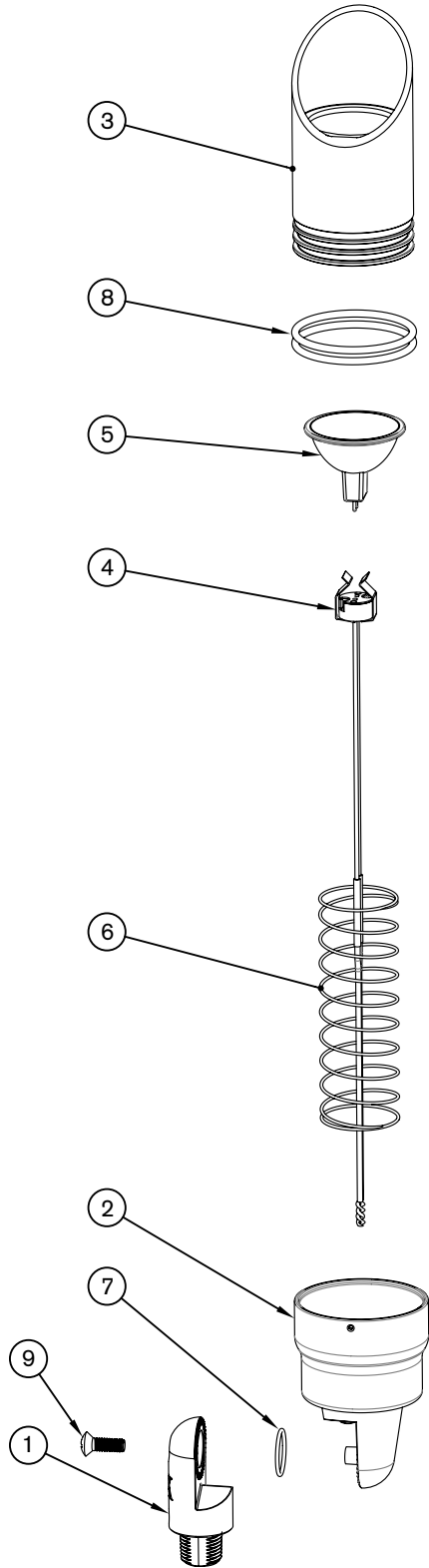
LAMP CHART - HALOGEN, MR-16, 12V	
DESCRIPTION	CATALOG #
Lamp, MR-16 10w 32deg 1.2K Hrs	250010220001
Lamp, MR-16 20w 12deg 5K Hrs	250010220002
Lamp, MR-16 20w 24deg 5K Hrs	250010220003
Lamp, MR-16 20w 24deg 10K Hrs	250010220004
Lamp, MR-16 20w 36deg 5K Hrs	250010220005
Lamp, MR-16 20w 36deg 10K Hrs	250010220006
Lamp, MR-16 20w 36deg 12K Hrs	250010220007
Lamp, MR-16 20w 60deg 5K Hrs	250010220008
Lamp, MR-16 35w 12deg 5K Hrs	250010220009
Lamp, MR-16 35w 24deg 5K Hrs	250010220010
Lamp, MR-16 35w 24deg 10K Hrs	250010220011
Lamp, MR-16 35w 36deg 5K Hrs	250010220012
Lamp, MR-16 35w 36deg 10K Hrs	250010220013
Lamp, MR-16 35w 36deg 18K Hrs	250010220014
Lamp, MR-16 35w 60deg 5K Hrs	250010220015
Lamp, MR-16 50w 12deg 5K Hrs	250010220016
Lamp, MR-16 50w 12deg 10K Hrs	250010220017
Lamp, MR-16 50w 25deg 5K Hrs	250010220018
Lamp, MR-16 50w 24deg 10K Hrs	250010220019
Lamp, MR-16 50w 36deg 5K Hrs	250010220020
Lamp, MR-16 50w 36deg 10K Hrs	250010220021
Lamp, MR-16 50w 36deg 18K Hrs	250010220022
Lamp, MR-16 50w 60deg 5K Hrs	250010220023



JB LIGHT		
ITEM	DESCRIPTION	CATALOG #
1	Body	-
2	Shield & Lens	-
3	Knuckle Assembly	-
4	Socket	75602
5	O-Ring	250010280006
6	O-Ring	250010280002
7	Screw	750105
8	Screw	762400
9	Screw	250010290000
10	LED Board (see chart)	
11	Reflector (see chart)	
12	Filter, Color (see chart)	
13	Diffuser (see chart)	

LED CHART		
QTY	DESCRIPTION	CATALOG #
1	1x Color Filter, Amber	751600
1	1x Color Filter, Blue	751601
1	1x Color Filter, Green	751602
1	1LED Board	751900
1	3x Color Filter, Amber	751700
1	3x Color Filter, Blue	751701
1	3x Color Filter, Green	751702
1	3LED Board	752000
1	3x Reflector	770700
1	1x Reflector	770000

*XX = powder coat color code



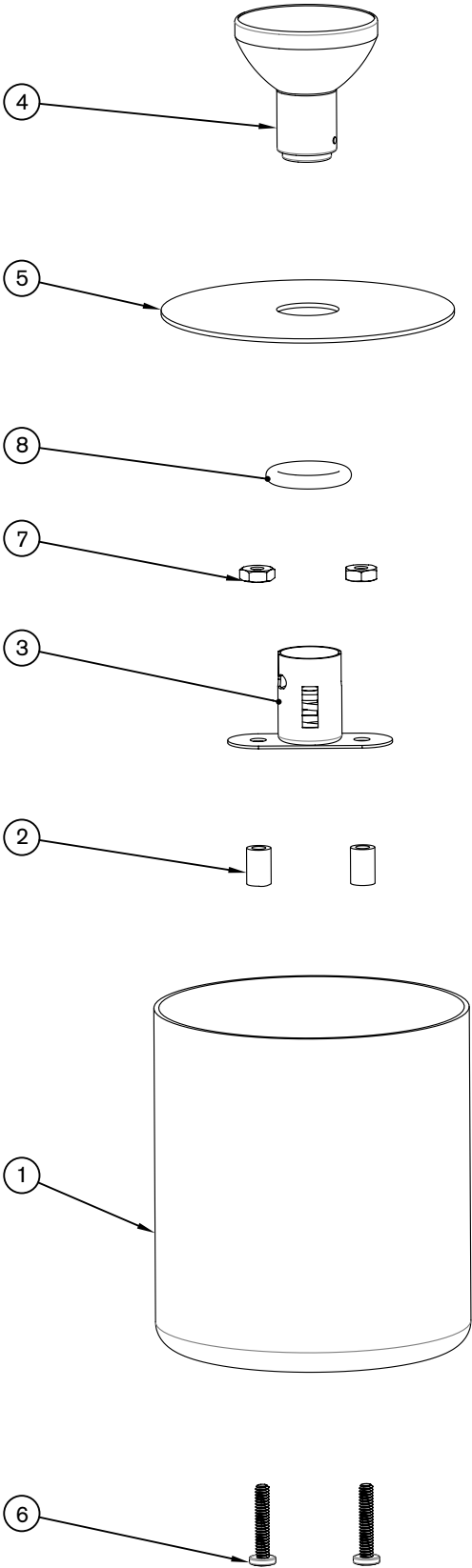
MD LIGHT		
ITEM	DESCRIPTION	CATALOG #
1	Knuckle	-
2	Body	-
3	Shield & Lens	-
4	Socket	761600
5	Lamp (see chart)	
6	Spring	756100
7	O-Ring	250010280002
8	O-Ring	250010280025
9	Screw	250010290000

LAMP CHART	
DESCRIPTION	CATALOG #
Lamp, MR-16 10w 32deg 1.2K Hrs	250010220001
Lamp, MR-16 20w 12deg 5K Hrs	250010220002
Lamp, MR-16 20w 24deg 5K Hrs	250010220003
Lamp, MR-16 20w 24deg 10K Hrs	250010220004
Lamp, MR-16 20w 36deg 5K Hrs	250010220005
Lamp, MR-16 20w 36deg 10K Hrs	250010220006
Lamp, MR-16 20w 36deg 12K Hrs	250010220007
Lamp, MR-16 20w 60deg 5K Hrs	250010220008
Lamp, MR-16 35w 12deg 5K Hrs	250010220009
Lamp, MR-16 35w 24deg 5K Hrs	250010220010
Lamp, MR-16 35w 24deg 10K Hrs	250010220011
Lamp, MR-16 35w 36deg 5K Hrs	250010220012
Lamp, MR-16 35w 36deg 10K Hrs	250010220013
Lamp, MR-16 35w 36deg 18K Hrs	250010220014
Lamp, MR-16 35w 60deg 5K Hrs	250010220015
Lamp, MR-16 50w 12deg 5K Hrs	250010220016
Lamp, MR-16 50w 12deg 10K Hrs	250010220017
Lamp, MR-16 50w 25deg 5K Hrs	250010220018
Lamp, MR-16 50w 24deg 10K Hrs	250010220019
Lamp, MR-16 50w 36deg 5K Hrs	250010220020
Lamp, MR-16 50w 36deg 10K Hrs	250010220021
Lamp, MR-16 50w 36deg 18K Hrs	250010220022
Lamp, MR-16 50w 60deg 5K Hrs	250010220023

* XX = powder coat color code

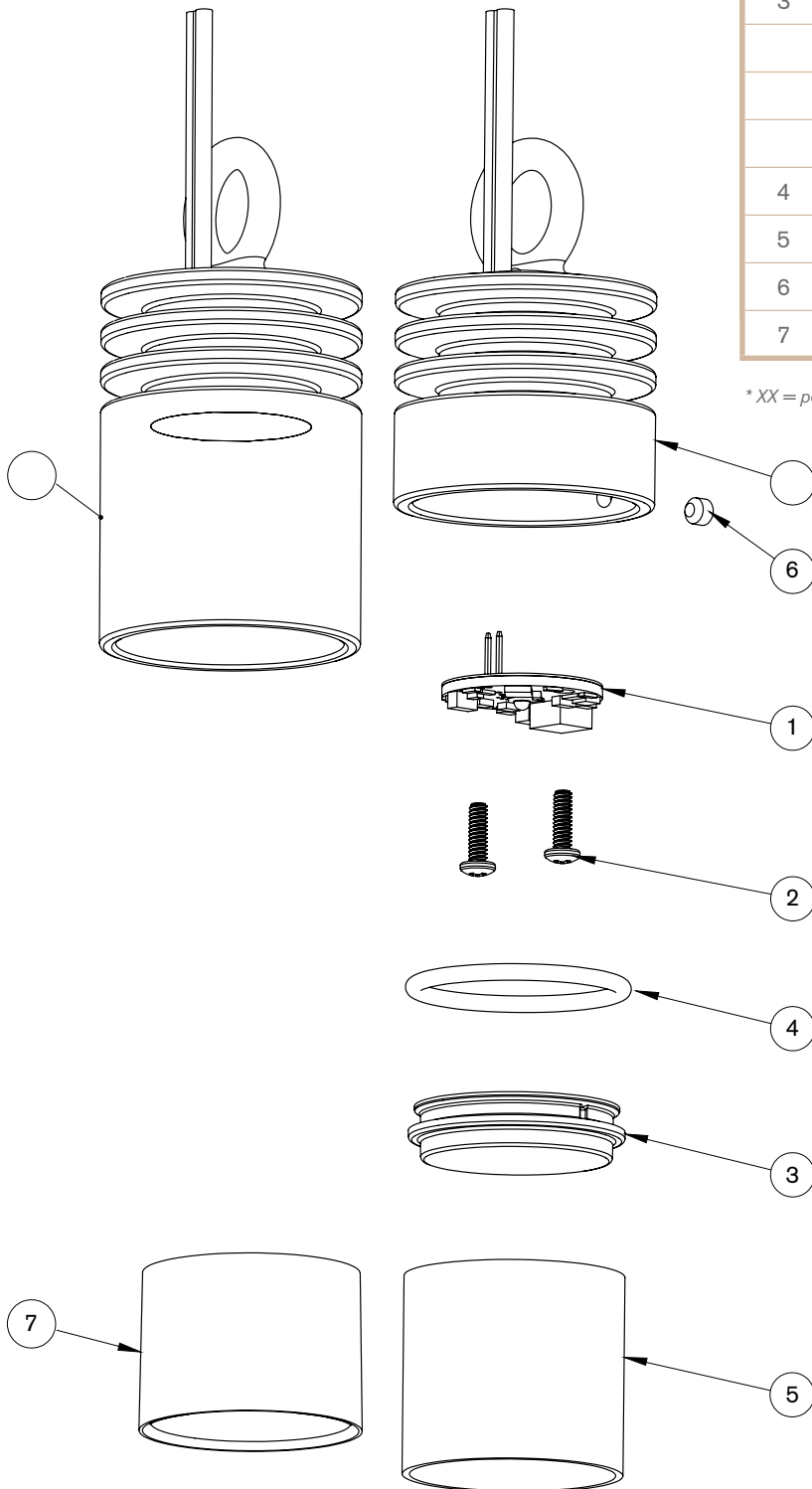
CL LIGHT		
ITEM	DESCRIPTION	CATALOG #
1	Copper Can	250013890000
2	Coupling, Brass	250013920000
3	Socket	250013910000
4	Lamp	250010240000
5	Reflector	250013930000
6	Screw, 6-32 x 3/4	250011500000
7	Nut, Hex, 6-32, Mach	250011510000
8	O-Ring	250010280019

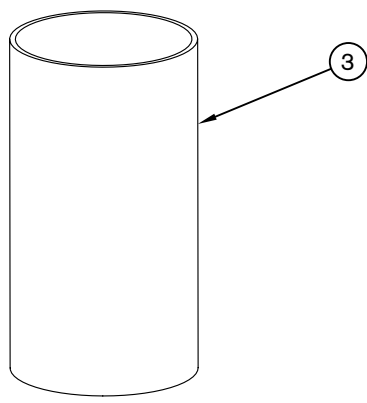
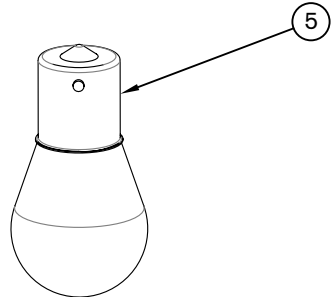
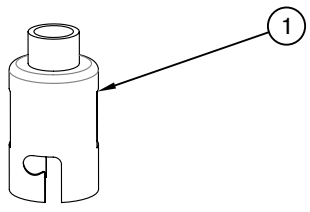
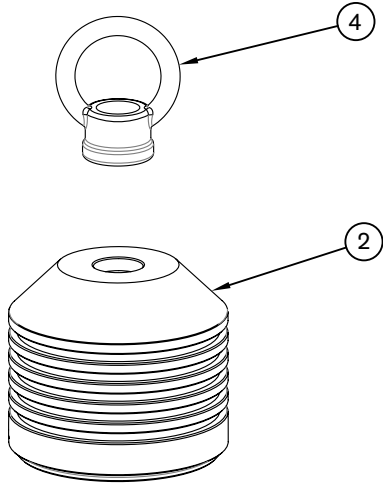
* XX = powder coat color code



LE LIGHT		
ITEM	DESCRIPTION	CATALOG #
1	1LED Board	751900
2	Screw, 4-40 x 3/8	762400
3	Lens	Amber Lens 250015650001
		Clear Lens 250015650000
		Blue Lens 250015650002
		Green Lens 250015650003
4	O-Ring	250010280026
5	Copper Shroud	250015670000
6	Screw, Set, 8-32 x 1/8	250010320000
7	Reflector	250015680000

*XX = powder coat color code



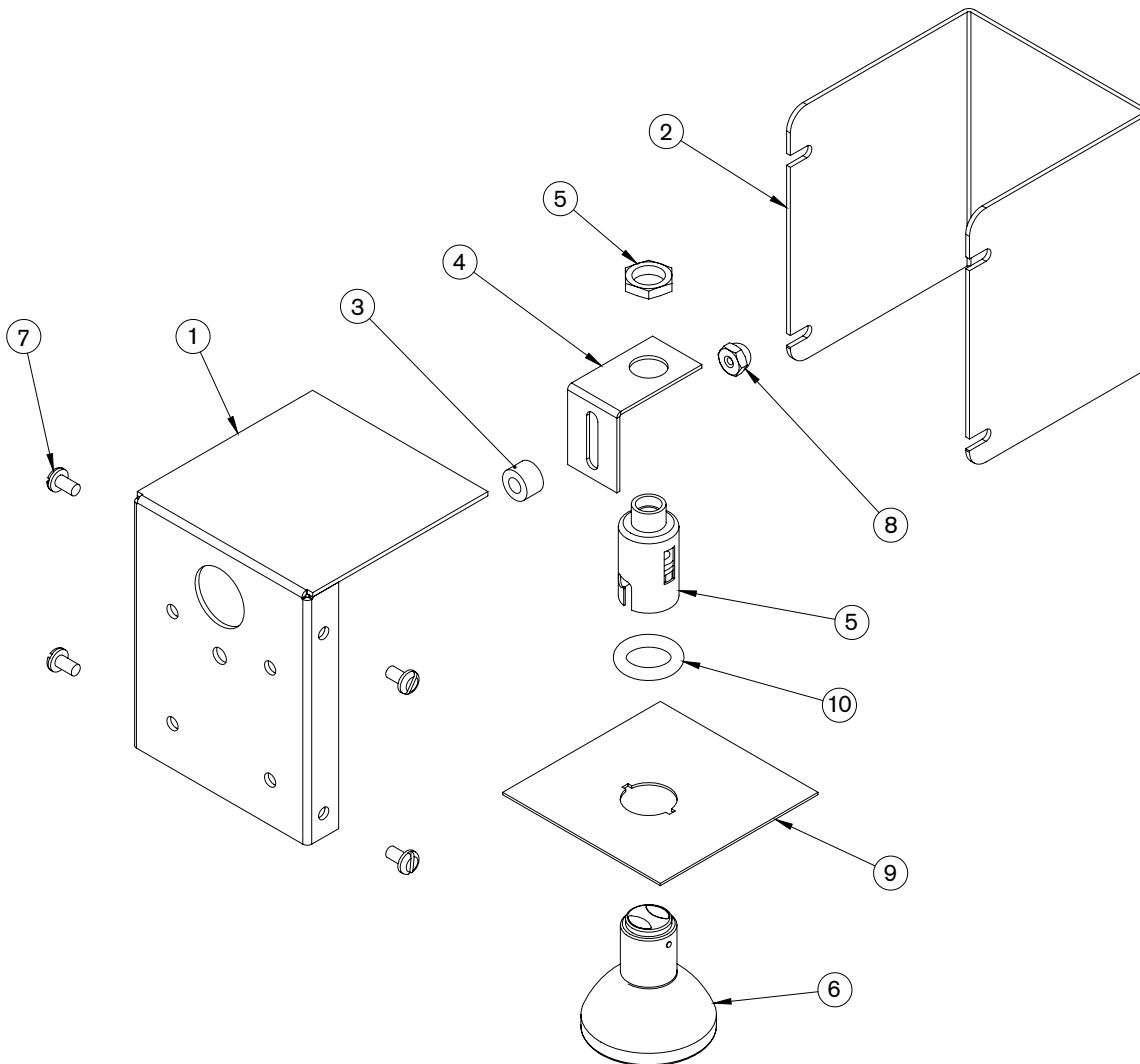


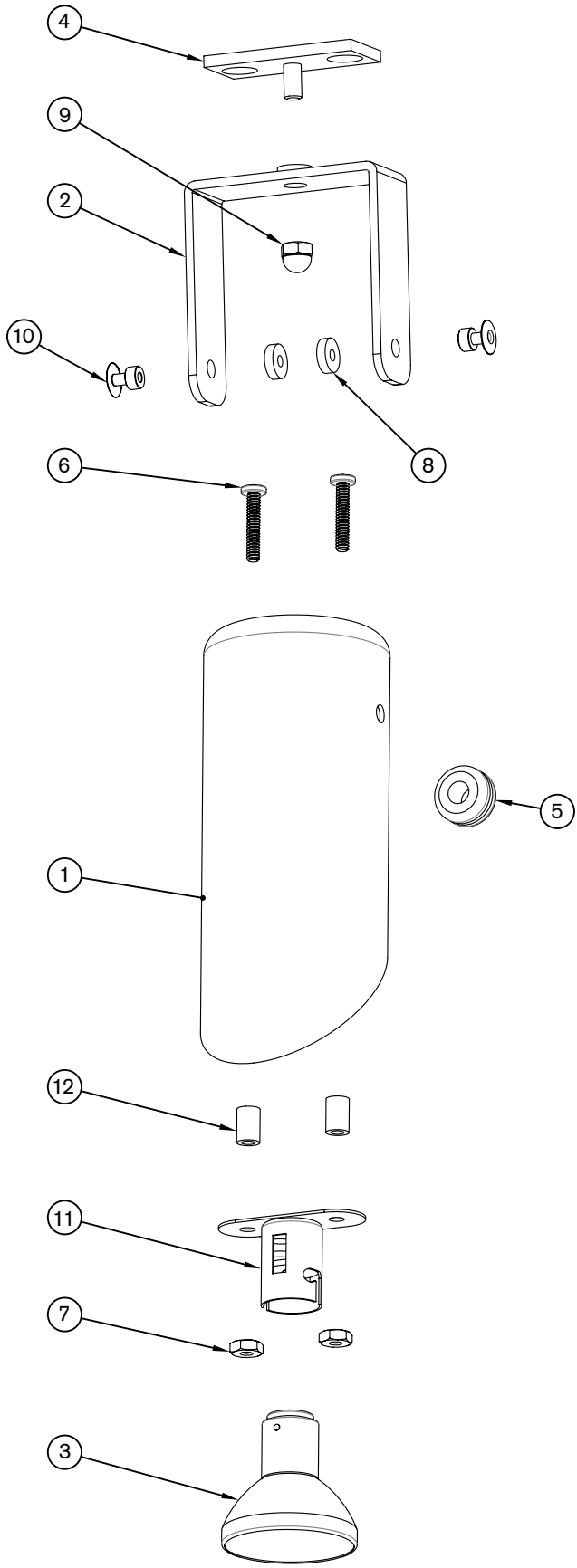
LS LIGHT		
ITEM	DESCRIPTION	CATALOG #
1	Socket	250012800000
2	Top, Brass	250013770000
3	Shroud	250013780000
4	Loop, Brass	250010050000
5	Lamp	250010510000
6	Screw, 8-32 x 1/8	250010320000

*XX = powder coat color code

TC LIGHT		
ITEM	DESCRIPTION	CATALOG #
1	Copper L-Bracket	250013830000
2	Cover	250013820000
3	Aluminum Spacer	250013880000
4	Clip	250014870000
5	Socket	250012890000
6	Lamp	250010240000
7	Screw, 6-32 x 1/4, Brass	250013850000
8	Nut, Acorn, 10-32	250013860000
9	Copper Shield	250013840000
10	O-Ring	250010280019

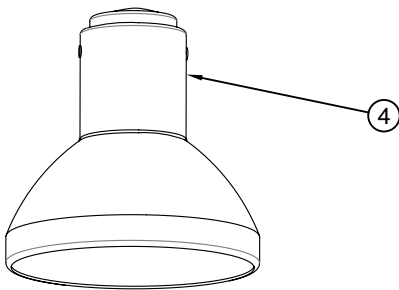
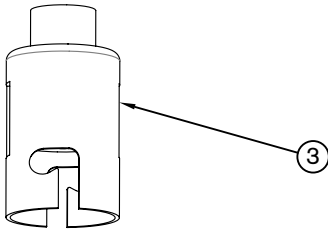
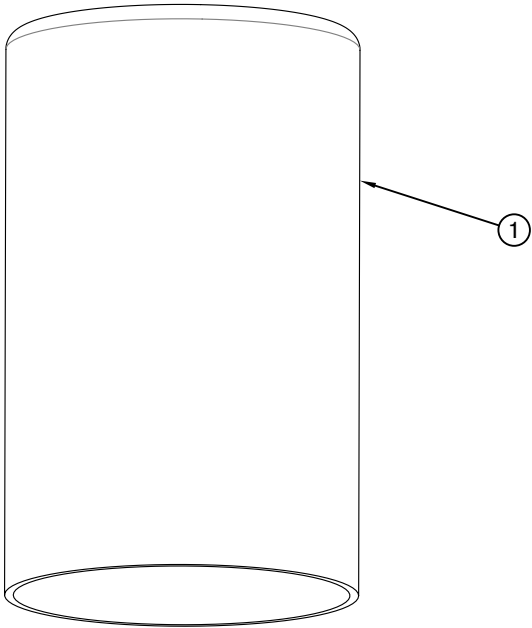
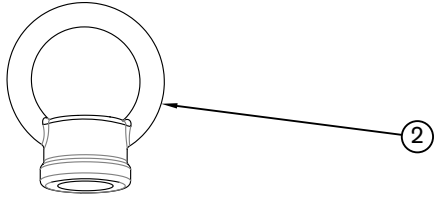
* XX = powder coat color code





TS LIGHT		
ITEM	DESCRIPTION	CATALOG #
1	Copper Shroud	250010110000
2	Copper Bracket	250010100000
3	Lamp	250010240000
4	Copper Wall Bracket	250010120000
5	Rubber Grommet	250013570000
6	Screw, 6-32 x 3/4	250011500000
7	Nut, Hex, 6-32, Mach	250011510000
8	Washer, Rubber	250014080000
9	Nut, Acorn, 10-32	250014130000
10	Socket	250013910000
11	Coupling, Brass	250013920000

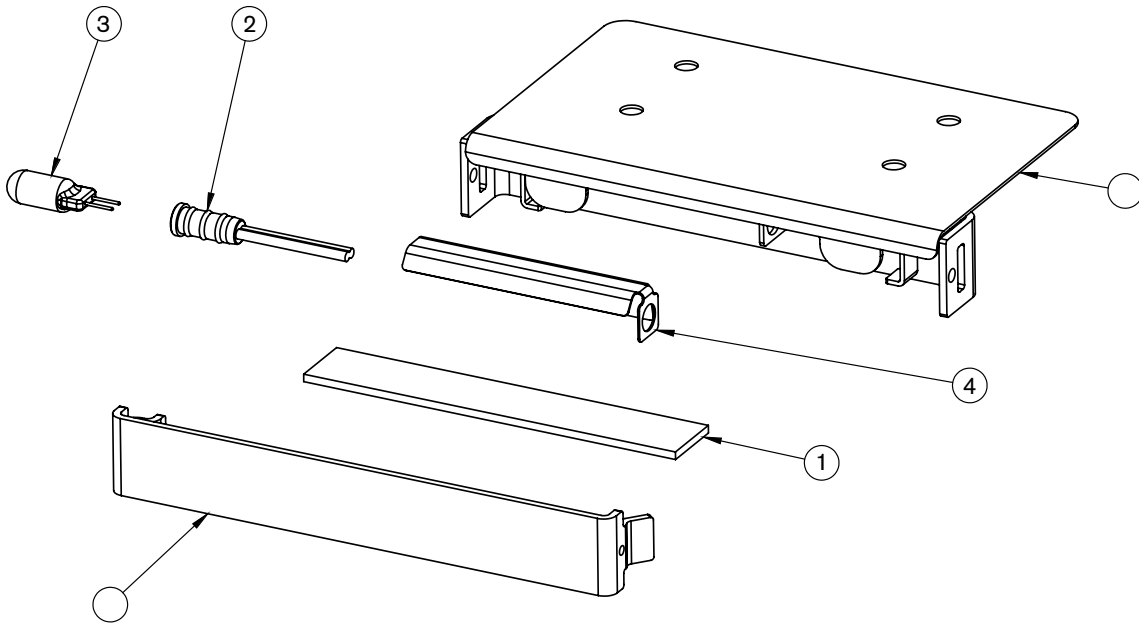
*XX = powder coat color code

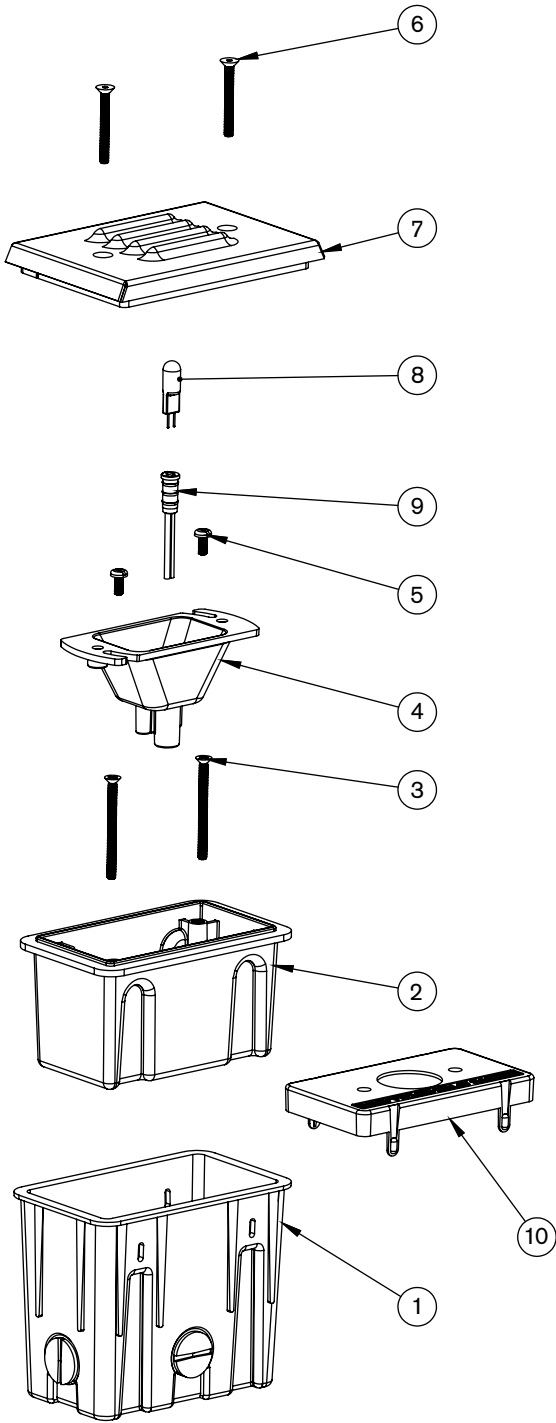


VL LIGHT		
ITEM	DESCRIPTION	CATALOG #
1	Copper Can	250010060000
2	Brass Loop	250010050000
3	Socket	250012890000
4	Lamp	250010240000

*XX = powder coat color code

BP LIGHT		
ITEM	DESCRIPTION	CATALOG #
1	Lens, Glass	754500
2	Socket	754600
3	Lamp	250010260001
4	Reflector	754100





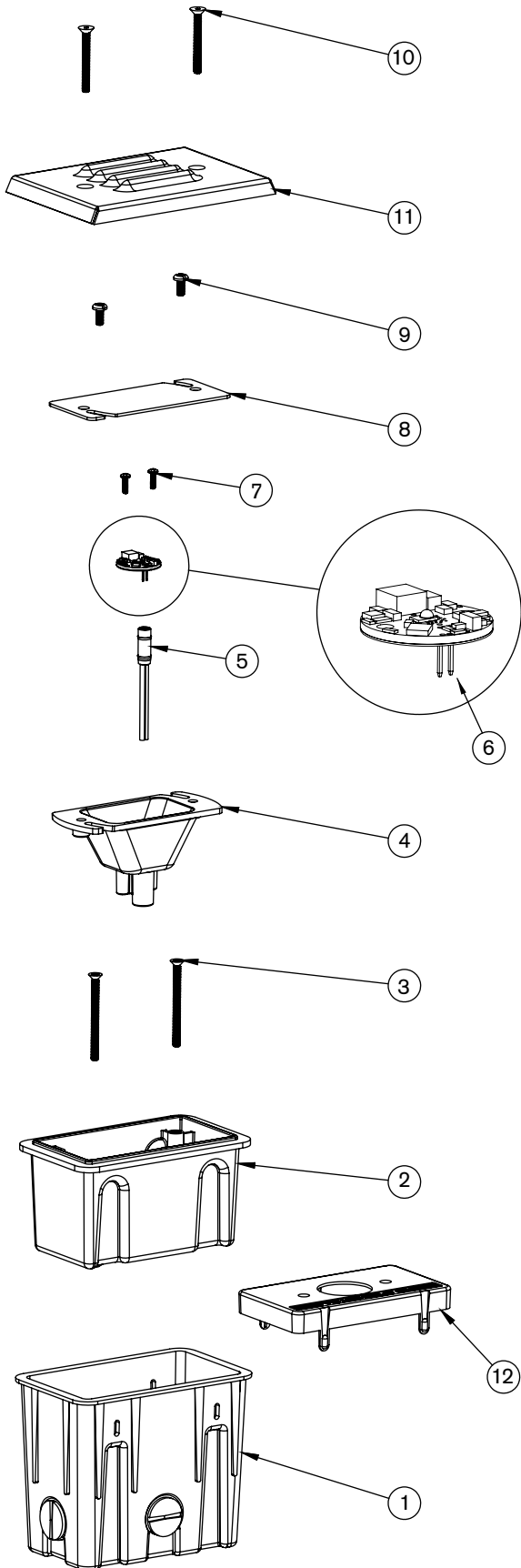
CP LIGHT		
ITEM	DESCRIPTION	CATALOG #
1	Outer Sleeve	250013150000
2	Inner Box	250013030000
3	Screw	250013080000
4	Reflector	250015750000
5	Screw	250013070000
6	Screw	250013090000
7	Faceplate	CPFPXX
8	Lamp	250010260001
9	Socket - Incandescent Only	250010730000
10	Sleeve Protector	250013130000

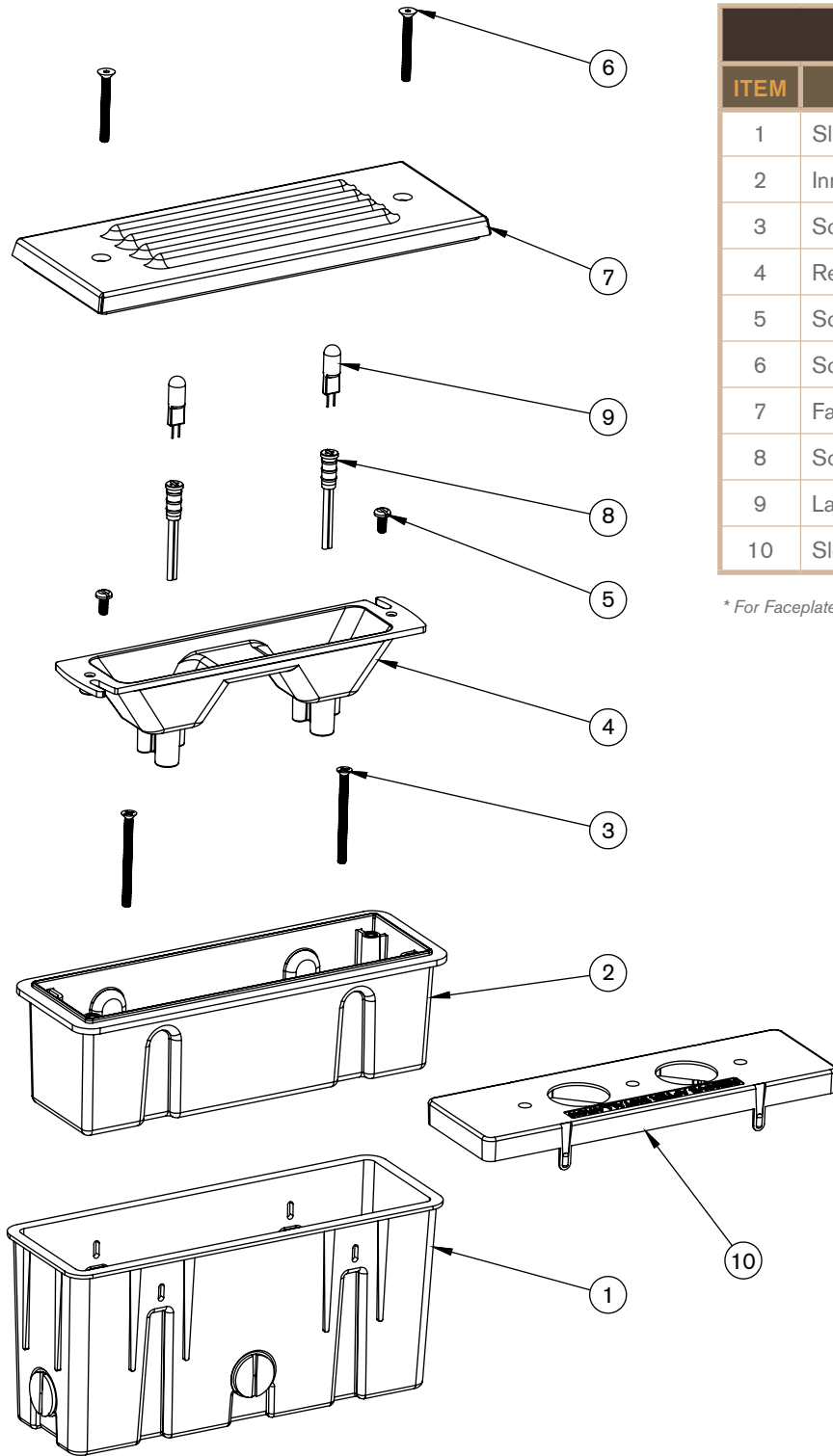
* For Faceplates: XX = powder coat color code

CP LIGHT, LED

ITEM	DESCRIPTION	CATALOG #
1	Outer Sleeve	250013150000
2	Inner Box	250013030000
3	Screw, Phillips	250013080000
4	Reflector	250015750000
5	Socket	752601
6	1LED Board	751900
7	Screw, 4-40 x 3/8	762400
8	Amber Filter	250015770000
9	Screw, 8-32 x 3/8	250013070000
10	Screw, 8-32 x 1 1/2	250016580000
11	Faceplate	CPFPXX
12	Sleeve Protector	250013130000

* For Faceplates: XX = powder coat color code



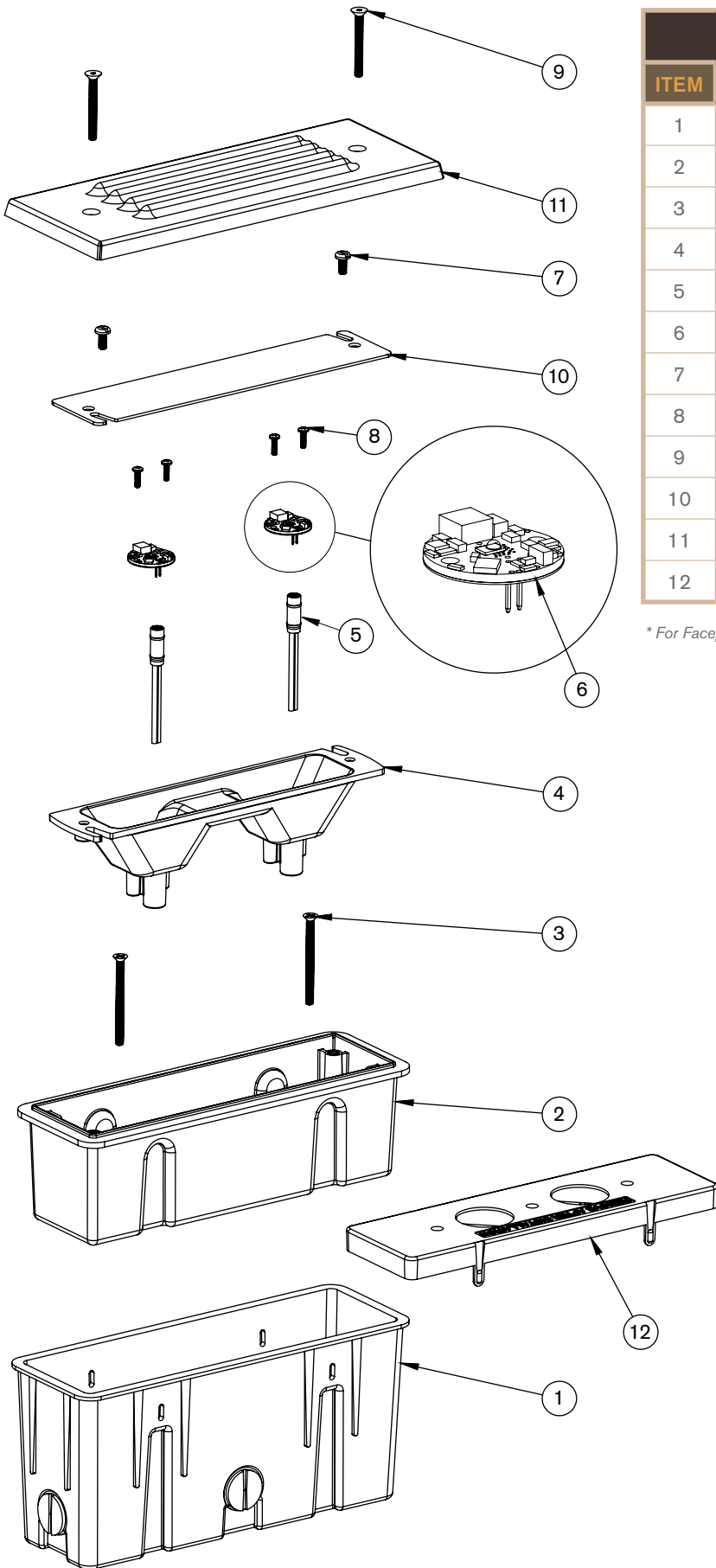


LM LIGHT		
ITEM	DESCRIPTION	CATALOG #
1	Sleeve	250013440000
2	Inner Box	250013380000
3	Screw	250013080000
4	Reflector	250015740000
5	Screw	250013070000
6	Screw	250013090000
7	Faceplate	LMFPXX
8	Socket - Incandescent Only	250010730000
9	Lamp	250010260001
10	Sleeve Protector	250013420000

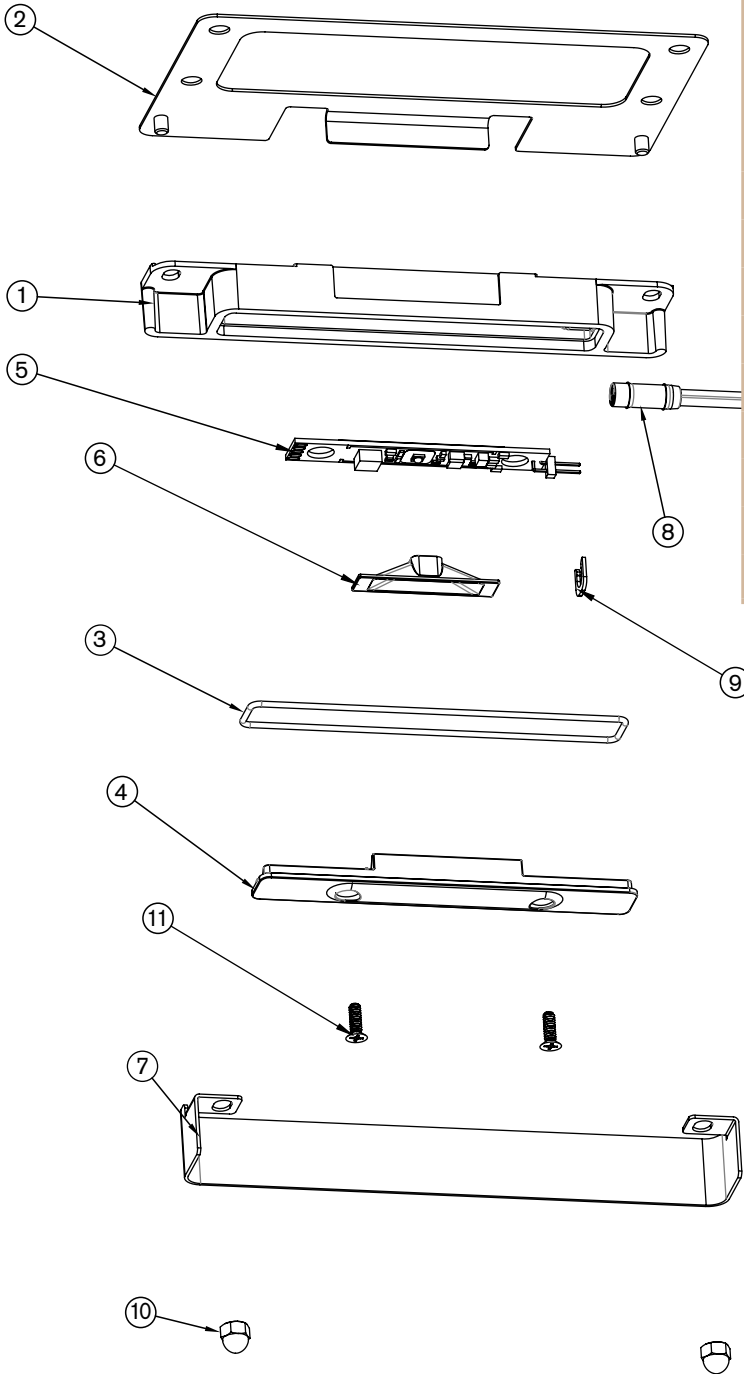
* For Faceplates: XX = powder coat color code

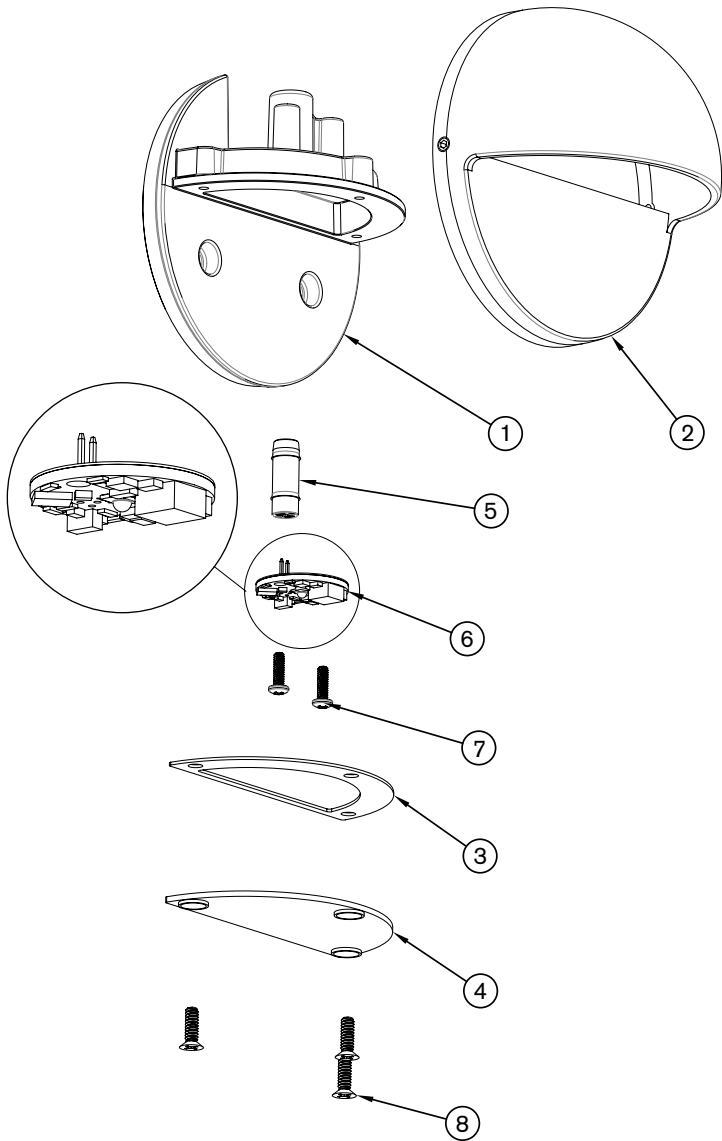
LM LIGHT, LED		
ITEM	DESCRIPTION	CATALOG #
1	Sleeve	250013440000
2	Inner Box	250013380000
3	Screw, 8-32 x 2"	250013080000
4	Reflector	250015740000
5	Socket	752601
6	1LED Board	751900
7	Screw, 4-40 x 3/8	762400
8	Screw, 8-32 x 3/8	250013070000
9	Screw, 8-32 x 1 1/2	250016580000
10	Amber Filter	250015760000
11	Faceplate	LMFPXX
12	Sleeve Protector	250013420000

* For Faceplates: XX = powder coat color code

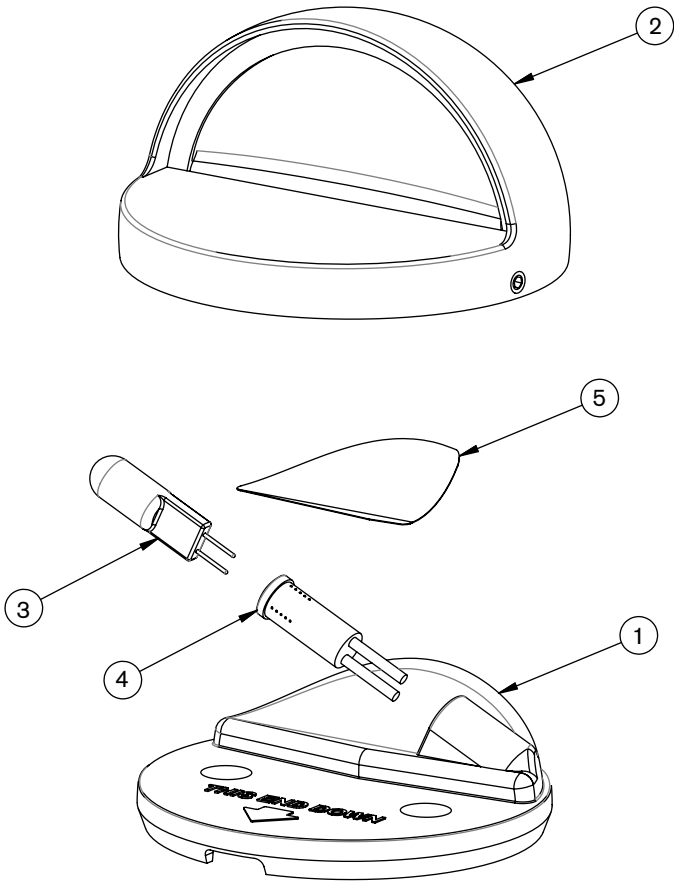


LF LIGHT			
ITEM	DESCRIPTION	CATALOG #	
1	Housing	755500	
2	Mounting Plate	755300	
3	O-Ring	189751	
4	Lens - Frosted/Amber	755600/ 755601	
5	1LED Board	755900	
6	Reflector	755700	
7	Faceplate	Brass	755400
		Copper	756800
		Stainless Steel	756900
8	Socket	752600	
9	Socket Clip	755800	
10	Acorn Nut, 8-32	250014800000	
11	Screw, Philips	250014810000	



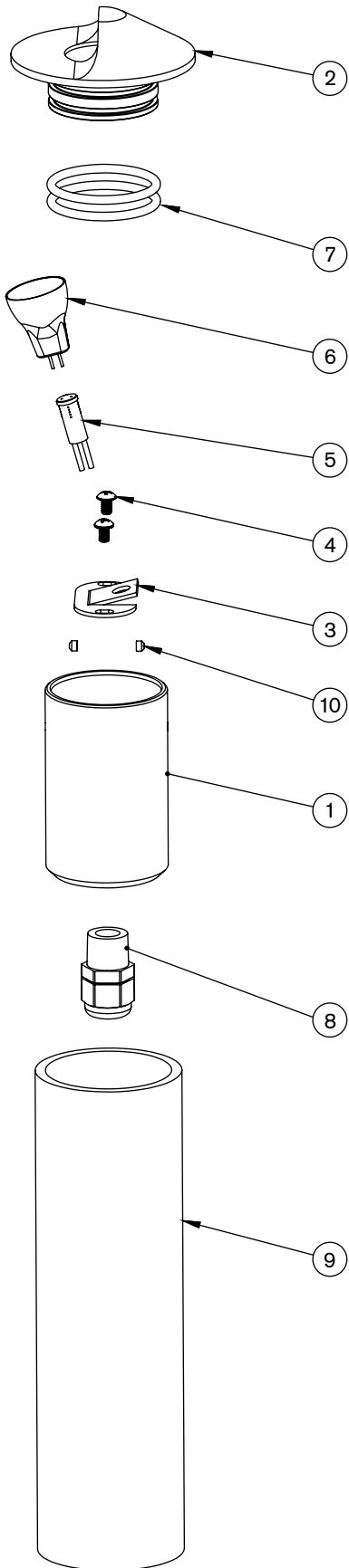


MS LIGHT		
ITEM	DESCRIPTION	CATALOG #
1	Housing	250015510000
2	Faceplate	-
3	Gasket	250015520000
4	Color Filter - Frosted/Amber	250015530000/ 250015530001
5	Socket	752601
6	1LED Board	751900
7	Screw	762400
8	Screw	250014810000



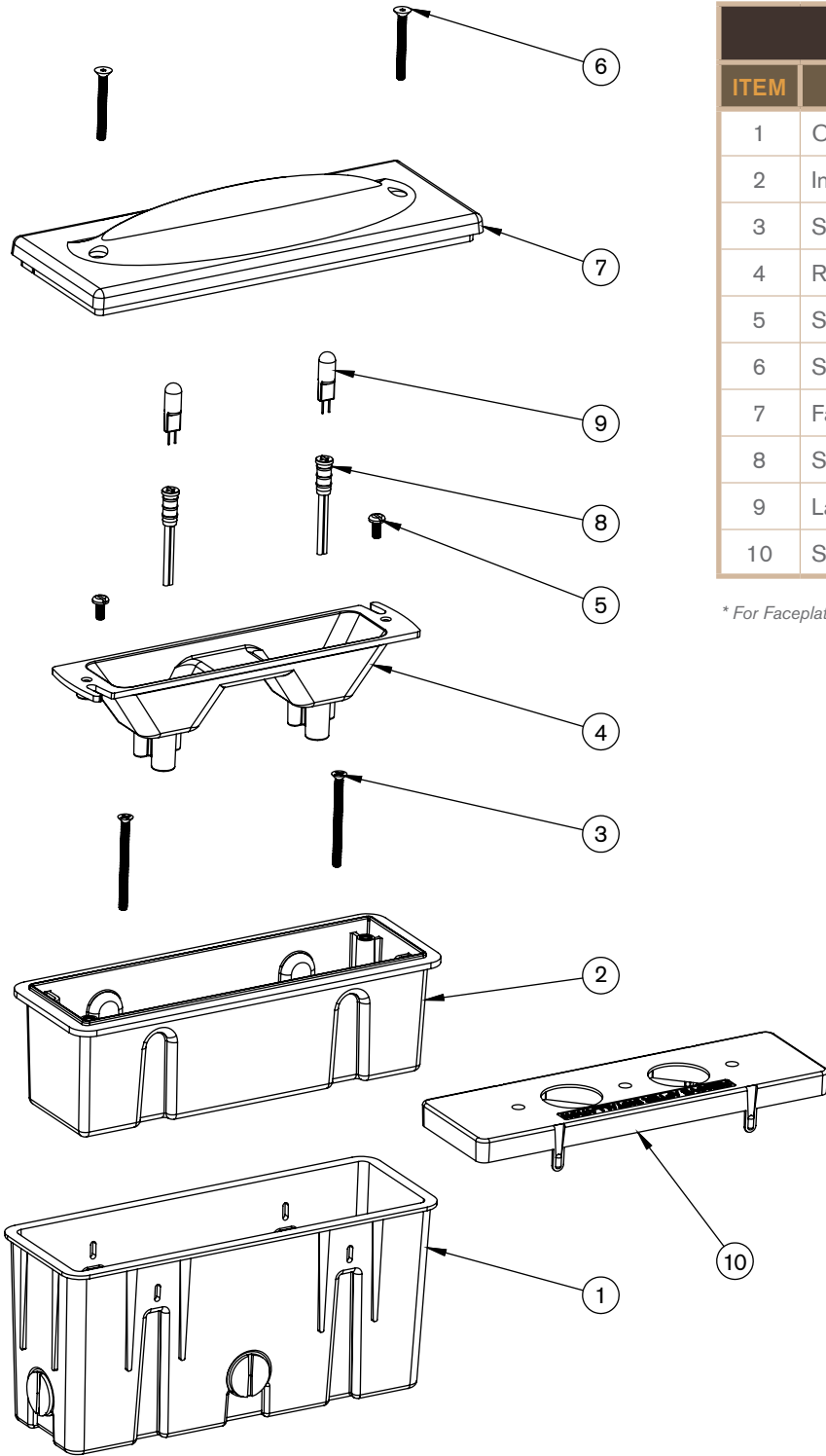
MM LIGHT		
ITEM	DESCRIPTION	CATALOG #
1	Housing	250013740000
2	Faceplate, Lens & Screws	MMFPXX
3	Lamp, Xenon, JCX, 12V	250010260001
4	Socket	250010730000
5	Reflector	250013750000

* For Faceplates: XX = powder coat color code



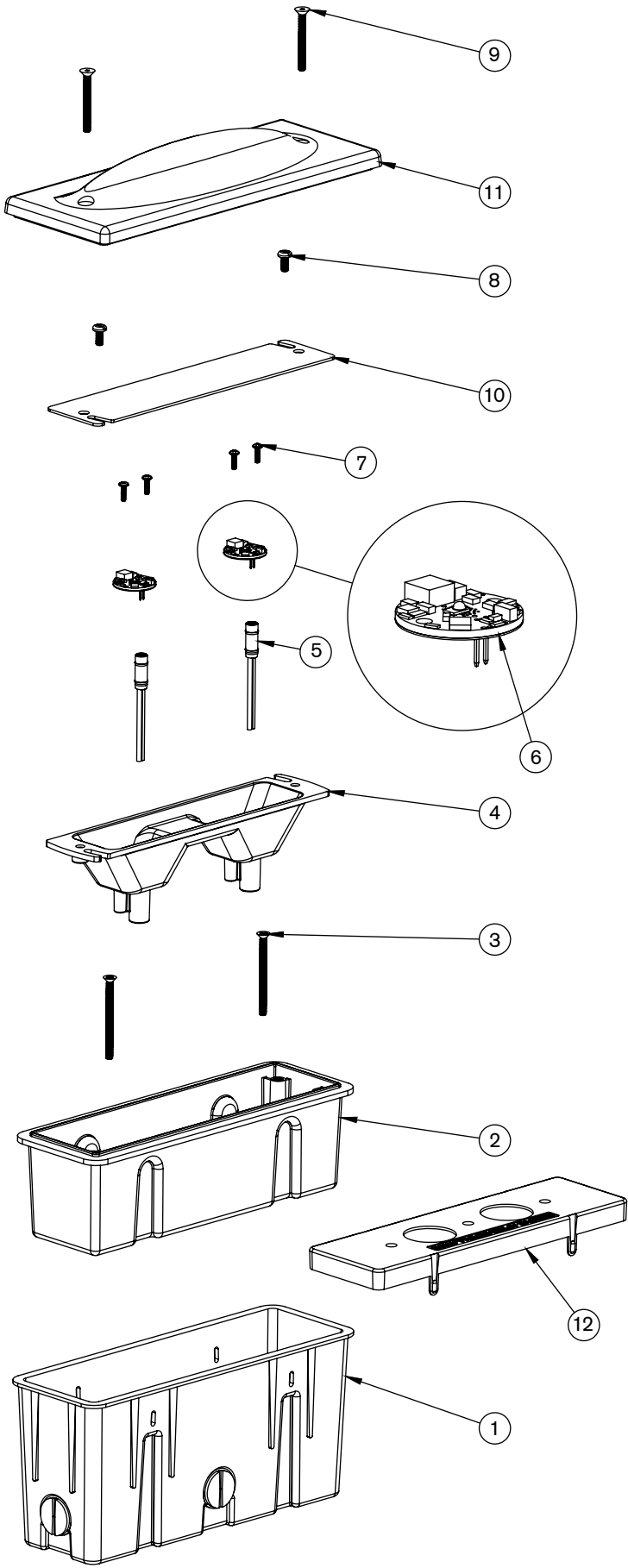
CG LIGHT		
ITEM	DESCRIPTION	CATALOG #
1	Brass Body	2500136100XX
2	Faceplate & Lens	CGFPXX
3	Bracket	250013630000
4	Screw, 8-32 x 1/4	250013660000
5	Socket	250010730000
6	Lamp	250010490000
7	O-Ring	250010280000
8	Fitting, Heyco	250013640000
9	Pipe, PVC	250013670000
10	Screw Set, 8-32 x 1/8	250010320000

* For Faceplates: XX = powder coat color code



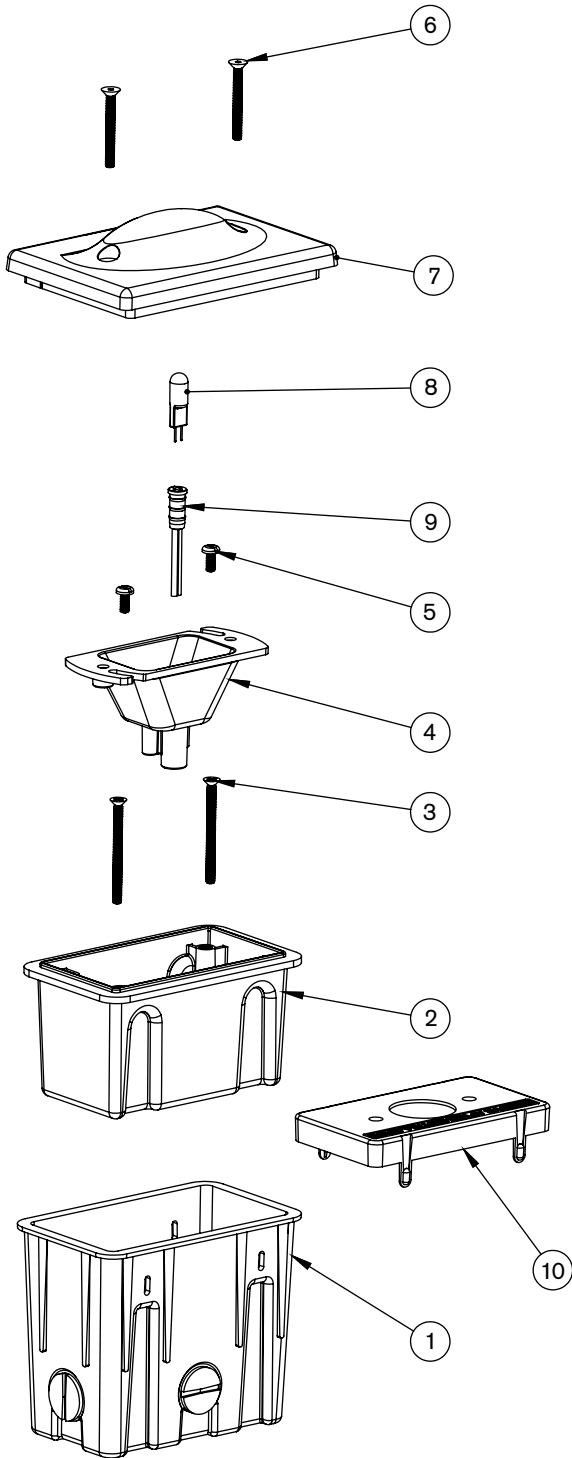
PD LIGHT		
ITEM	DESCRIPTION	CATALOG #
1	Outer Sleeve	250013380000
2	Inner Box	250013440000
3	Screw, 8-32 x 2"	250013080000
4	Reflector	250015740000
5	Screw, 8-32 x 3/8	250013070000
6	Screw, 8-32 x 1 1/2	250013090000
7	Faceplate	PDFPXX
8	Socket - Incandescent Only	250010730000
9	Lamp, Xenon, 12V	250010260001
10	Sleeve Protector	250013420000

* For Faceplates: XX = powder coat color code



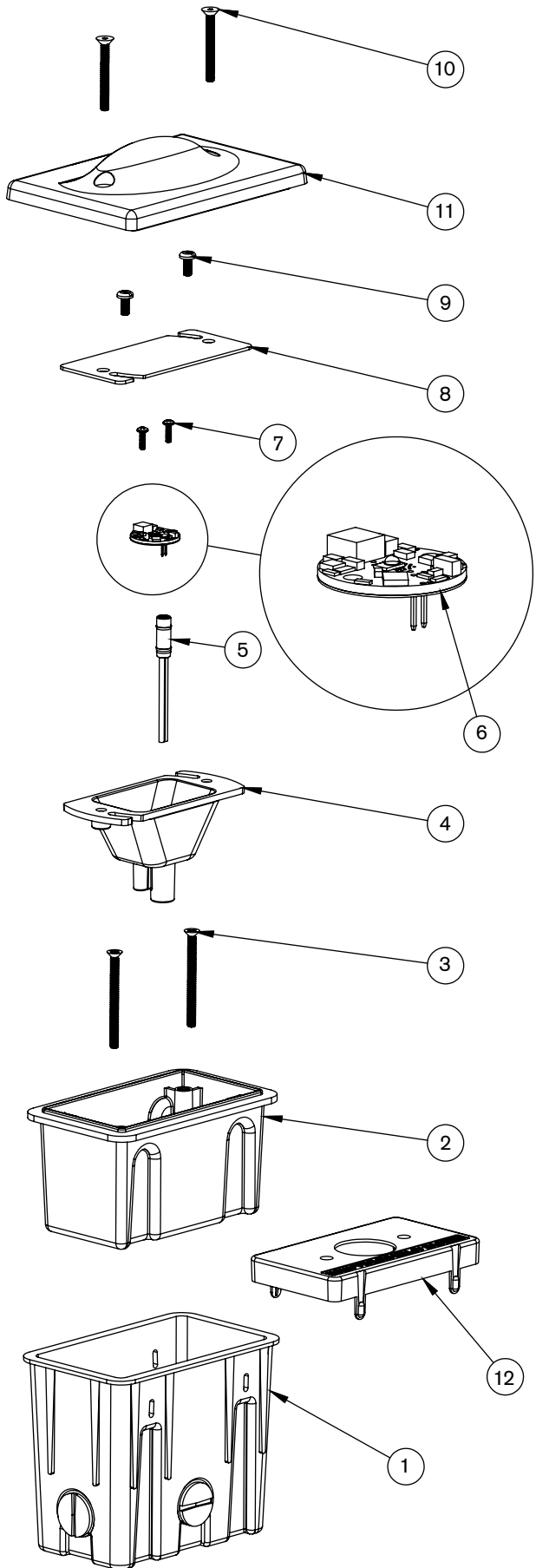
PD LIGHT, LED		
ITEM	DESCRIPTION	CATALOG #
1	Outer Sleeve	250013440000
2	Inner Box	250013380000
3	Screw, 8-32 x 2"	250013080000
4	Reflector	250015740000
5	Socket	752601
6	1LED Board	751900
7	Screw, 4-40 x 3/8	762400
8	Screw, 8-32 x 3/8	250013070000
9	Screw, 8-32 x 1 1/2	250016580000
10	Amber Filter	250015760000
11	Faceplate	PDFPXX
12	Sleeve Protector	250013420000

* For Faceplates: XX = powder coat color code



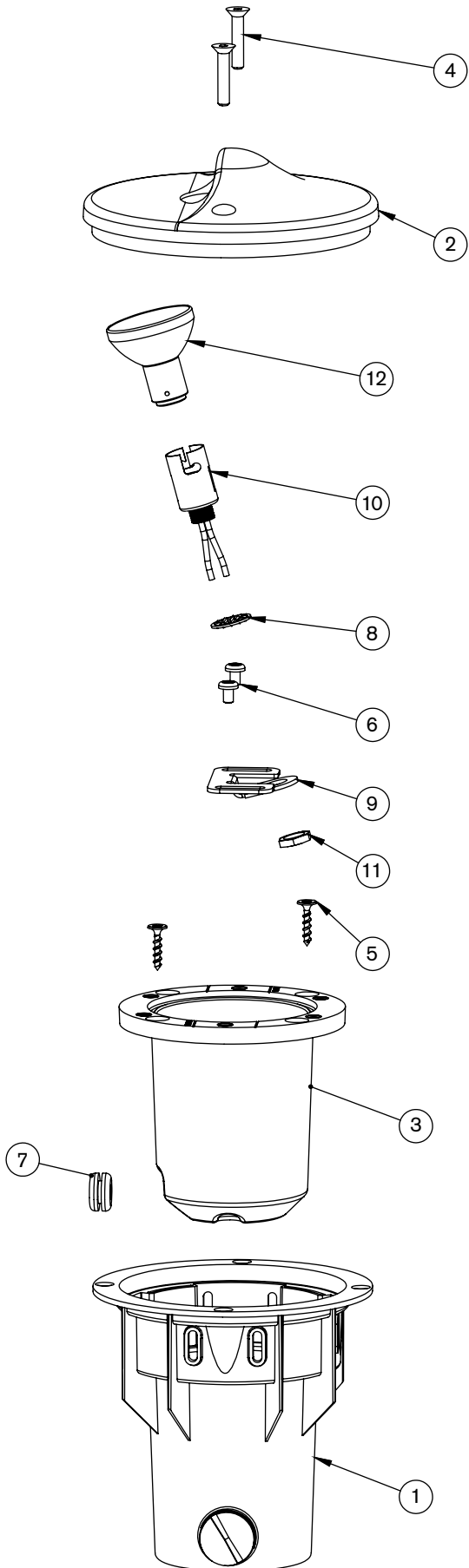
UN LIGHT		
ITEM	DESCRIPTION	CATALOG #
1	Outer Sleeve	250013150000
2	Inner Box	250013030000
3	Screw, 8-32 x 2"	250013080000
4	Reflector	250015750000
5	Screw, 8-32 x 3/8	250013070000
6	Screw, 8-32 x 1 1/2	250013090000
7	Faceplate	UNFPXX
8	Lamp, Xenon, 12V	250010260001
9	Socket - Incandescent Only	250010730000
10	Sleeve Protector	250013130000

* For Faceplates: XX = powder coat color code



UN LIGHT, LED		
ITEM	DESCRIPTION	CATALOG #
1	Outer Sleeve	250013150000
2	Inner Box	250013030000
3	Screw, 8-32 x 2"	250013080000
4	Reflector	250015750000
5	Socket	752601
6	1LED Board	751900
7	Screw, 4-40 x 3/8	762400
8	Amber Filter	250015770000
9	Screw, 8-32 x 3/8	250013070000
10	Screw, 8-32 x 1 1/2	250016580000
11	Faceplate	UNFPXX
12	Sleeve Protector	250013130000

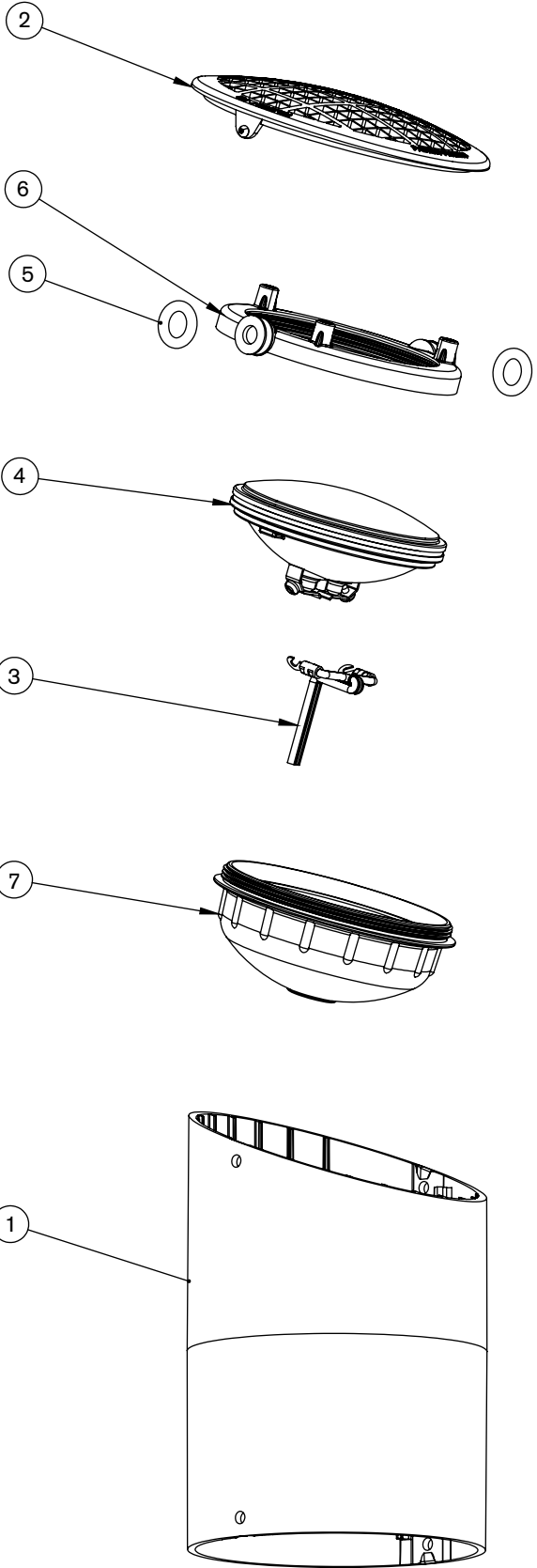
* For Faceplates: XX = powder coat color code

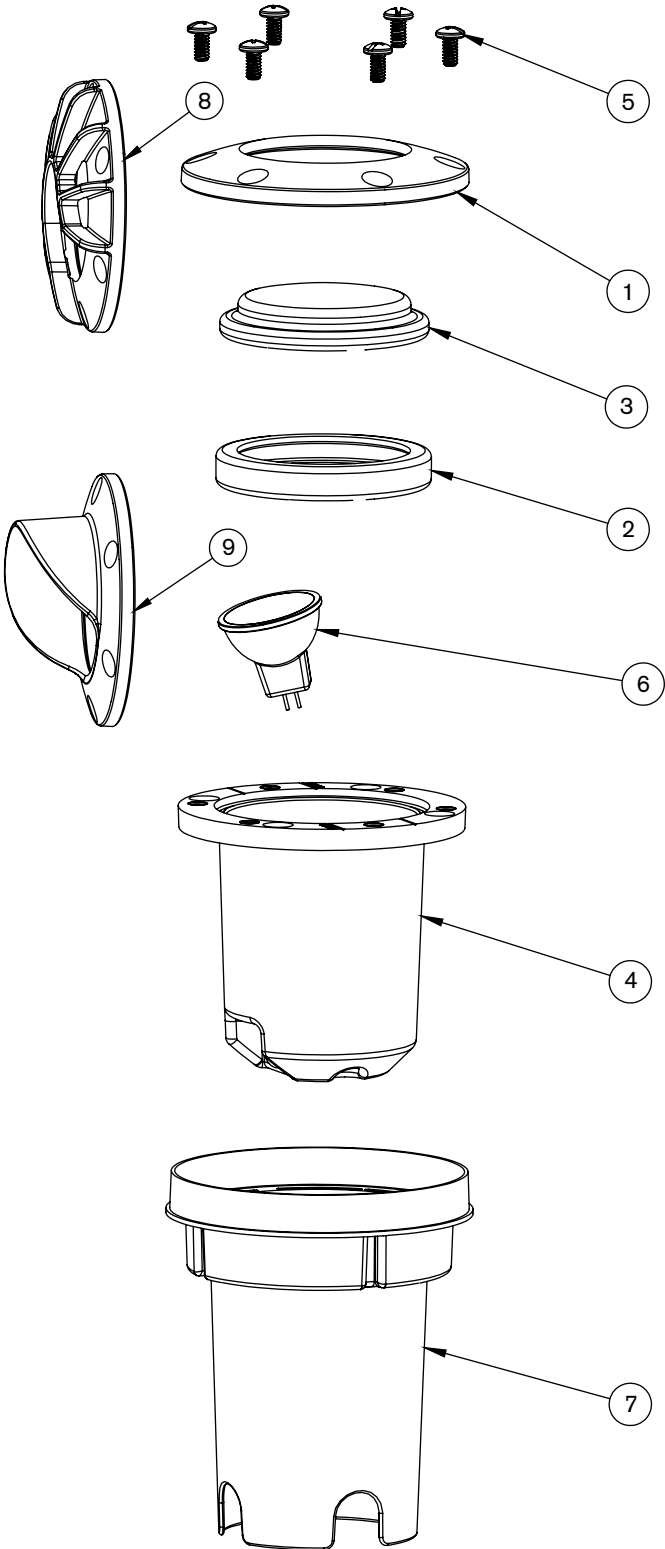


ML LIGHT		
ITEM	DESCRIPTION	CATALOG #
1	Outer Housing	250013520000
2	Faceplate	MLFPXX
3	Inner Sleeve	250013510000
4	Screw, 10-24 x 1"	250013560000
5	Screw, #6 x 3/4	250013060000
6	Screw, 8-32 x 1/4	250011710000
7	Grommet	250013570000
8	Washer, INT Tooth, 3/8	250013590000
9	Bracket	250013530000
10	Socket Assembly	250012890000
11	Brass Nut	250012970000
12	Lamp	250010240000

* For Faceplates: XX = powder coat color code

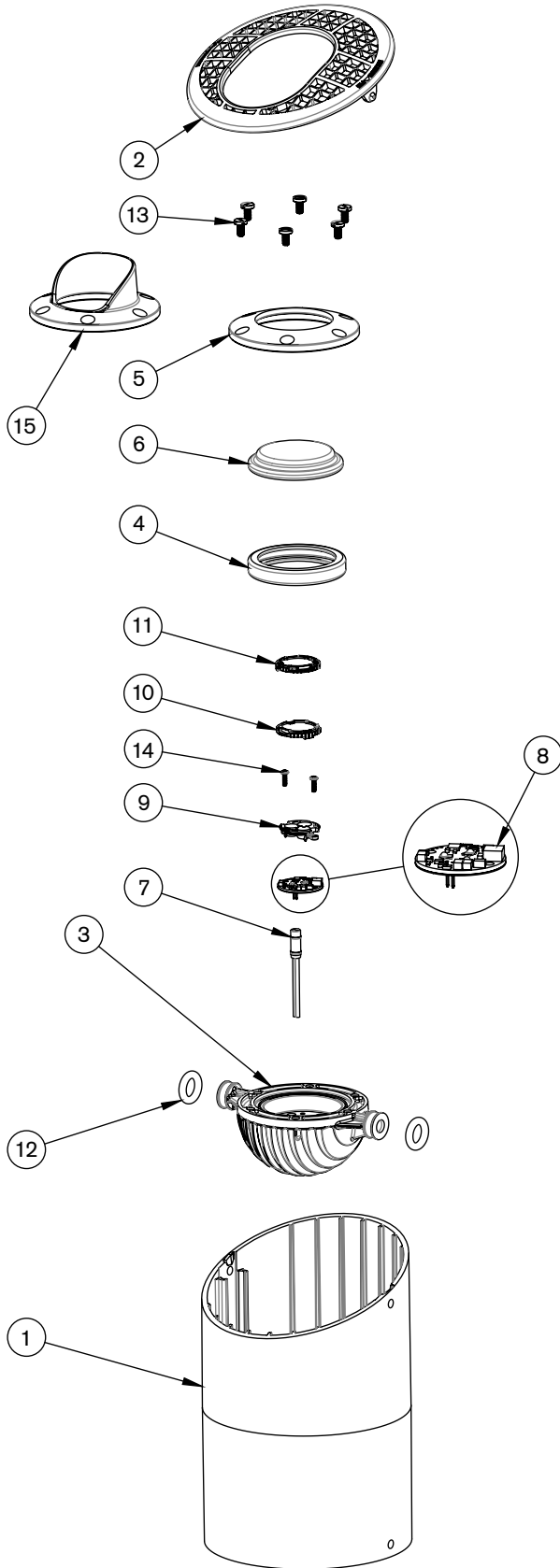
CF LIGHT		
ITEM	DESCRIPTION	CATALOG #
1	Tube	250011630000
2	Grid Cover	250011640000
3	Cable, 16 AWG, 8M Lead	250011670000
4	Lamp, PAR 36	250010500000
5	O-Ring	250010280007
6	Bezel	250011660000
7	Base	250011650000





FC LIGHT			
ITEM	DESCRIPTION		CATALOG #
1	Ring	Brass	250014010000
		CB	250014330000
2	Seal, Lens		250014250000
3	Lens		250014240000
4	Inner Housing		250013510000
5	Screw, 10-24 x 3/8		250015870000
6	Lamp (see chart)		
7	Outer Housing		250014260000
8	Louver <i>Optional</i>	Brass	250014000000
		CB	250014320000
9	Cowling <i>Optional</i>	Brass	250014020000
		CB	250014310000

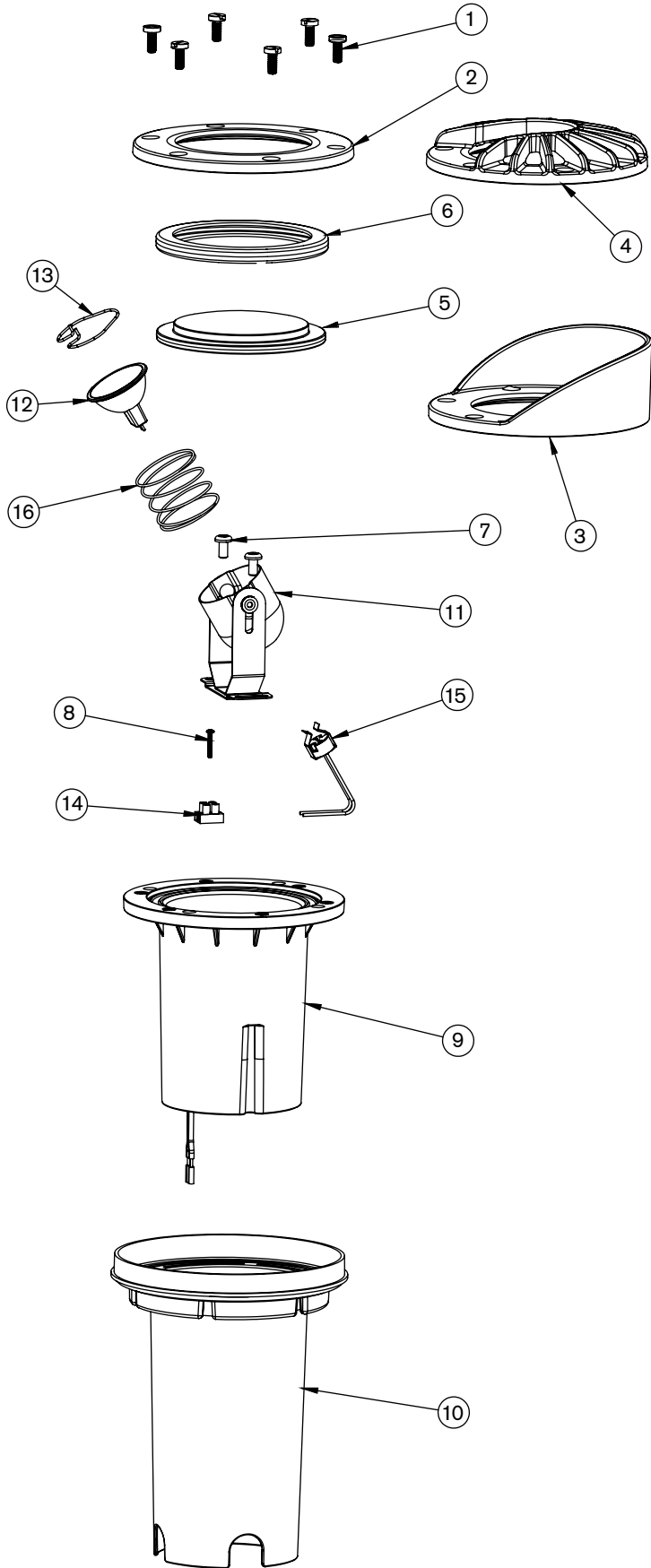
LAMP CHART	
DESCRIPTION	CATALOG #
Lamp, MR-11 20w 10deg 2K Hrs	250010220002
Lamp, MR-11 20w 36deg 2K Hrs	250010220003



PE LIGHT		
ITEM	DESCRIPTION	CATALOG #
1	Tube	250011630000
2	Grid, PE	760700
3	PE Housing	2500147800XX
4	Seal, Lens	250014250000
5	Ring	250014330000
6	Lens, Glass	250014240000
7	Socket	752600
8	LED Board (see chart)	
9	Reflector (see chart)	
10	Color Filter (see chart)	
11	Diffuser (see chart)	
12	O-Ring	250010280007
13	Screw, 10-24 x 3/8	250010910000
14	Screw, 4-40 x 3/8	762400
15	Cowling <i>Optional</i>	250014310000

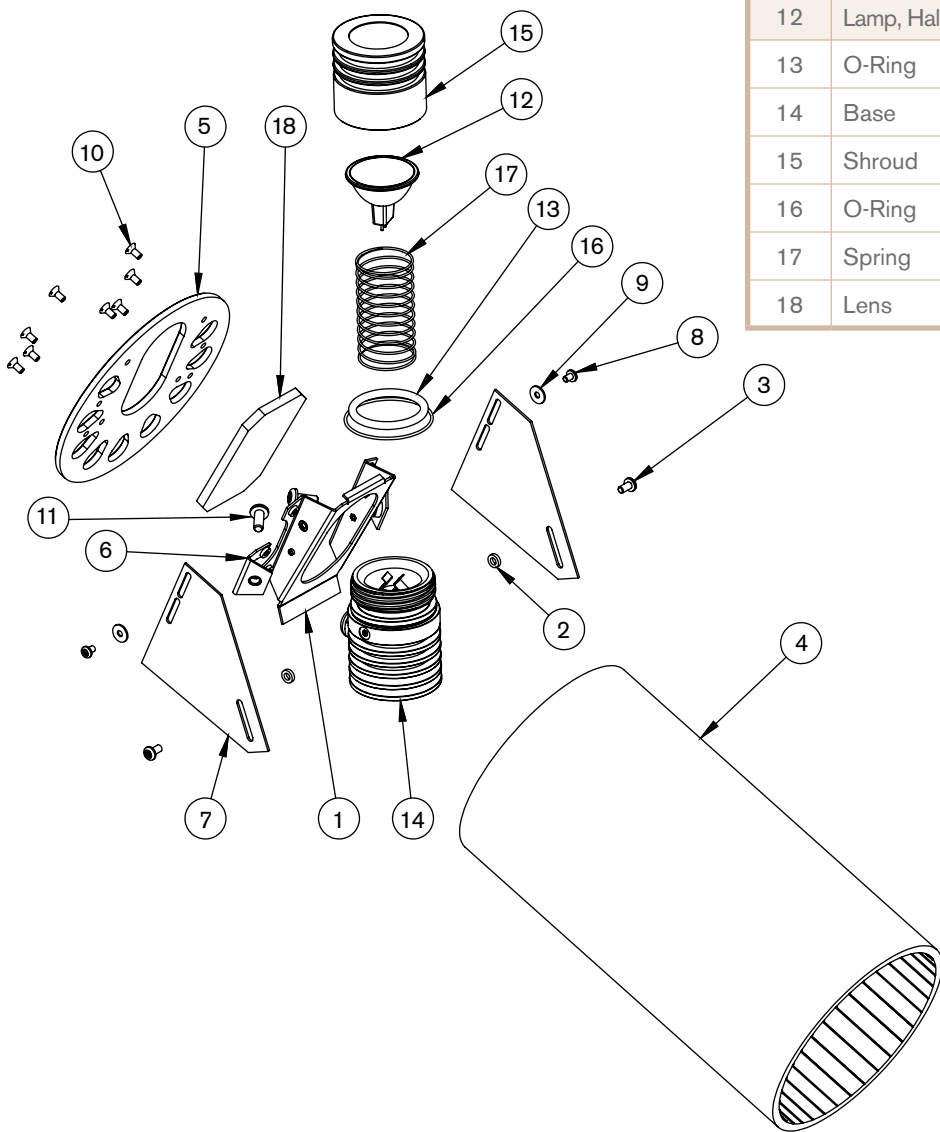
LED CHART		
QTY	DESCRIPTION	CATALOG #
1	3x Color Filter, Amber	751700
1	3x Color Filter, Blue	751701
1	3x Color Filter, Green	751702
1	3LED Board	752000
1	3LED Reflector	770700
1	6/9x LED Reflector	750701
1	9x Optic Filter Diffuser	751500
1	9x Color Filter, Amber	751800
1	9x Color Filter, Blue	751801
1	9x Color Filter, Green	751802
1	6LED Board	752100
1	9LED Board	752200

* XX = powder coat color code



RP LIGHT		
ITEM	DESCRIPTION	CATALOG #
1	Screw	250014380000
2	Ring	Brass 250014050000 CB 250014470000
3	Cowling	Brass 250014040000 CB 250014480000
4	Louver	Brass 250014060000 CB 250014490000
5	Lens	250014340000
6	Seal	250014360000
7	Screw, 1/4-20 x 1/2	250014430000
8	Screw, 4-40 x 3/4	250014420000
9	Inner Housing	250014410000
10	Outer Housing	250014350000
11	Housing Assembly, Lamp	250014370000
12	Lamp, Halogen, MR-16, 12V (see pg. 6)	
13	Spring, Clip	250014200000
14	Terminal Block	250014390000
15	Socket	250010170000
16	Spring	250014440000

TE LIGHT		
ITEM	DESCRIPTION	CATALOG #
1	Lens Holder	250013980000
2	Washer, Rubber	250014210000
3	Screw, 10-32 x 3/8	250011750017
4	Tube	250014170000
5	Faceplate	250010150000
6	Clip	250013970000
7	Bracket, Body	250013960017
8	Screw, 8-32 x 1/4	250011710000
9	Washer, Flat	250011690017
10	Screw, 8-32 x 3/8 LG	250011770000
11	Screw, 1/4-20 x 5/8	250011730017
12	Lamp, Halogen, MR-16, 12V (see pg. 6)	
13	O-Ring	250010280020
14	Base	250014220000
15	Shroud	250014230000
16	O-Ring	250010280013
17	Spring	406400P
18	Lens	250014190000



RP & TE LIGHTS
LAMP CHART - HALOGEN, MR-16, 12V

DESCRIPTION	CATALOG #
Lamp, MR-16 10w 32deg 1.2K Hrs	250010220001
Lamp, MR-16 20w 12deg 5K Hrs	250010220002
Lamp, MR-16 20w 24deg 5K Hrs	250010220003
Lamp, MR-16 20w 24deg 10K Hrs	250010220004
Lamp, MR-16 20w 36deg 5K Hrs	250010220005
Lamp, MR-16 20w 36deg 10K Hrs	250010220006
Lamp, MR-16 20w 36deg 12K Hrs	250010220007
Lamp, MR-16 20w 60deg 5K Hrs	250010220008
Lamp, MR-16 35w 12deg 5K Hrs	250010220009
Lamp, MR-16 35w 24deg 5K Hrs	250010220010
Lamp, MR-16 35w 24deg 10K Hrs	250010220011
Lamp, MR-16 35w 36deg 5K Hrs	250010220012
Lamp, MR-16 35w 36deg 10K Hrs	250010220013
Lamp, MR-16 35w 36deg 18K Hrs	250010220014
Lamp, MR-16 35w 60deg 5K Hrs	250010220015
Lamp, MR-16 50w 12deg 5K Hrs	250010220016
Lamp, MR-16 50w 12deg 10K Hrs	250010220017
Lamp, MR-16 50w 25deg 5K Hrs	250010220018
Lamp, MR-16 50w 24deg 10K Hrs	250010220019
Lamp, MR-16 50w 36deg 5K Hrs	250010220020
Lamp, MR-16 50w 36deg 10K Hrs	250010220021
Lamp, MR-16 50w 36deg 18K Hrs	250010220022
Lamp, MR-16 50w 60deg 5K Hrs	250010220023