

PROJECT

CATALOG #

TYPE

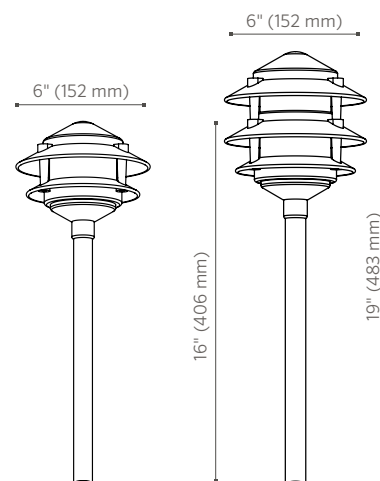
NOTES

DS Path Light STANDARD

The three-tiered DS is a classic style that complements contemporary and traditional landscapes. The fixture is constructed from a die-cast aluminum alloy with a polyester powder coat and military-grade finish.

Quick Facts

- Die-cast aluminum
- Superior outdoor polyester TGIC powder coat
- G4 bi-pin lamp base
- Compatible with Luxor® technology
- Phase dimmable
- Input voltage: 10-15V



DS Path Light SPECIFICATIONS

FX Luminaire

FX Luminaire is an industry-leading manufacturer of landscape and architectural lighting products with a focus on the advancement of LED technology and digital lighting control with zoning, dimming, and color adjustment capabilities. We offer a full spectrum of specification-driven lighting fixtures that can be utilized to create elegant, cutting-edge landscape lighting systems for commercial or residential applications. Our products are available exclusively via our extensive professional distributor network.

Materials

Die-cast aluminum A380 housing, top/shade and riser.

Lamp

G4 lamp base.

Socket

Socket contains MoistureBlock™ technology, preventing moisture from wicking up into sealed areas of the fixture.

Wiring

18 AWG (1 mm); SPT-1W; 220°F (105°C); 300V; 10' (3 m) length without riser.

Power

Input 10–15 VAC, 50/60 Hz. Remote transformer required (specify separately).

Riser

¾" (19 mm) aluminum riser with machined male threads.

Threads

Machined with ½"-14 (13 mm) NPSM threads.

Lens

Frosted polycarbonate lens with high tolerance for thermal expansion, stress, and abuse.

Finish

Two-layer protection of sulfuric acid anodization and polyester TGIC powder coat, providing superior outdoor weathering in all conditions. Tested to ASTM standards.

Hardware

Includes ABS long slotted spike for ground mounting.

Ambient Operating Temperature

0°F to 140°F (-18°C to 60°C)

Weight

4.0 lbs. (1.8 kg)

Manufacturing

ISO 9001:2015 certified facility.

International

Compliant per IEC 60598-1 and IEC 60598-2-7 when used with International Spike Kit ("EKITSPIKE") or alternate mount greater than or equal to IP65.

Warranty

10-year limited warranty

Control

ZD utilizes Luxor technology to zone light fixtures in up to 250 groups and dim each group in 1% increments between 0 and 100%. Add the Luxor Cube to this fixture to add zoning and dimming capabilities with Luxor.

Sustainability

Innovation meets conservation in the design and manufacturing of our products. Where we can, we use recycled materials while maintaining superior functionality. Our LED products provide high-quality light at optimal energy efficiency, lifespan, and durability.

Installation Requirements

Designed for installation in the downward lighting direction only.

Listings



DS Path Light ORDERING INFORMATION

Fixture	Lamp	Tier Height	Riser	Finish	
DS*	■ NL No lamp	■ [default] Standard (3 Tiers)	■ 8R 8" (203 mm) Riser	■ BZ Bronze Metallic	■ WG White Gloss
		■ 2T 2-Tier Option	■ 12R 12" (305 mm) Riser	■ DG Desert Granite	■ FW Flat White
			■ 18R 18" (457 mm) Riser	■ WI Weathered Iron	■ AL Almond
			■ 24R 24" (610 mm) Riser	■ SB Sedona Brown	■ SV Silver
			■ 30R 30" (762 mm) Riser	■ FB Black	
			■ 36R 36" (914 mm) Riser		

EXAMPLE FIXTURE CONFIGURATION: DS-NL-36R-SB



* Ships with Long Slot Spike (250015840000)

MOUNTING OPTIONS: Specify Separately

Mounts	Code	
■ SUPER J-BOX 2.5" (64 mm) x 12" (305 mm)	SJ-XX*	
■ POST MOUNT 2.5" (64 mm) x 13" (330 mm)	PM-XX*	
■ SUPER SLOT SPIKE 2.5" (63 mm) x 10" (254 mm)	753900	
■ GROUND MOUNT 2.7" (67 mm) Diameter	GM-XX*	
■ VERSABOX® 2.2" (57 mm) x 1.5" (39 mm)	VB-050-XX*	
■ PROAIM® RATCHETING SPIKE 4.0" (102 mm) x 4.0" (102 mm)	PARS	
■ 3-PRONG SPIKE 5.1" (129 mm) x 9" (229 mm)	250020020000	

*YY = Riser height in inches (6" increments between 6" and 36"; 152 mm increments between 152 mm and 914 mm), XX = Finish code

RISER OPTIONS: Specify Separately

Riser	Code	
■ RISER ¾" (19 mm) Diameter	YY-R-XX*	

LUXOR TECHNOLOGY OPTIONS: Specify Separately

Cubes	Code	
■ LOW-VOLTAGE CUBE Supports AC dimmable LEDs and incandescent MAX LOAD: 60W/5A	LCM-LV	

MoistureBlock is a trademark of DSM&T Co. Inc.

© 2020 Hunter Industries™. Hunter, FX Luminaire, all related logos, and all other trademarks are property of Hunter Industries, registered in the U.S. and other countries.